



**国业光电**  
GUOYE OPTOELECTRONICS

**LED NEON FLEX  
CATALOGUE**

Last Update : 2022.07.15

Contents :

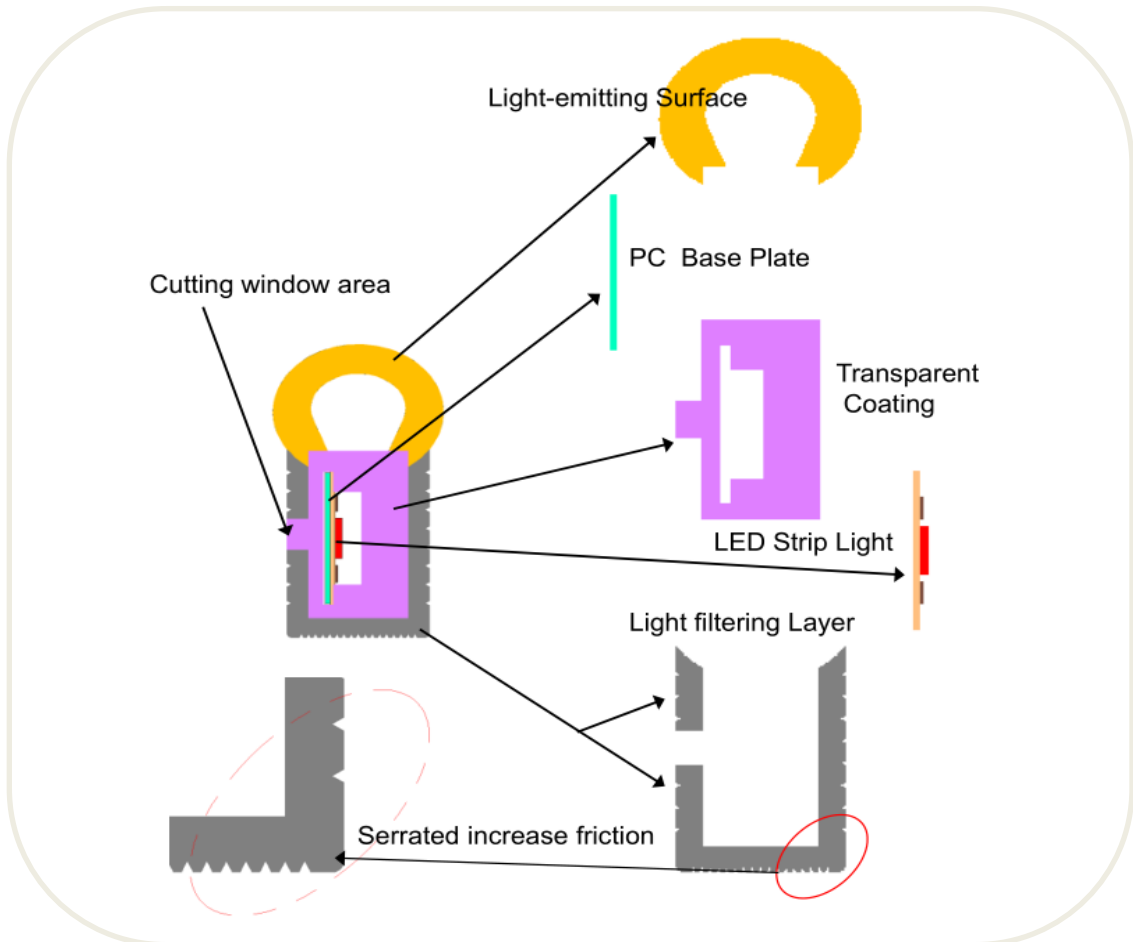
<b>LED Neon Flex - Silicone Extrusion Series</b>	-----	002
1 ) Silicone Extrusion (Side Bend) Series	-----	005
2 ) Silicone Extrusion (Top Bend) Series	-----	013
<b>LED Neon Flex - Silicone Tube Series</b>	-----	018
1 ) Silicone Tube (Side Bend) Series	-----	019
2 ) Silicone Tube (Top Bend) Series	-----	027
<b>LED Neon Flex – 270° 360° Emitting Series</b>	-----	034

Cooperation Partners :



## LED Neon Flex - Silicone Extrusion Series

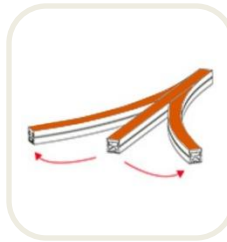
### 1 ) Product Diagrams :



### 2 ) Product Advantage :

1. Silicone Extrusion led neon flex adopt high quality silicone rubber, and mold integral forming processing technology to make finish neon light.
2. Neon light with high-grade products, good plasticity, very good light transmission and good soft lighting and consistency.
3. Mold forming product, led strip and silicon fully combined, effectively protect light source, do not dislocation, not easy to fracture.
4. Neon light resistant to high and low temperature, not easy to oxidation, not easy to yellowing, UV resistance.
5. Neon light has PC base plate on back side of led strip, increase tensile strength and outstanding bending proof performance.
6. Different mold styles options, Different color styles options, IP67 waterproof protection grade, suitable for indoor outdoor engineering lighting.

### 3 ) Bending direction :

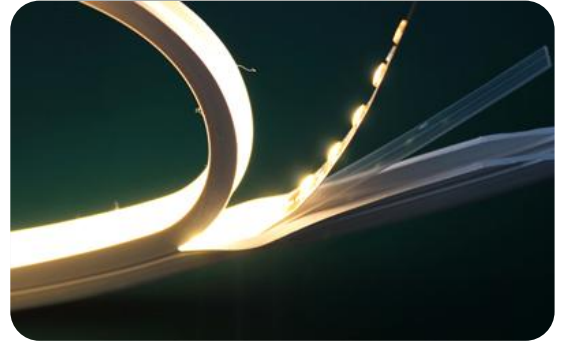
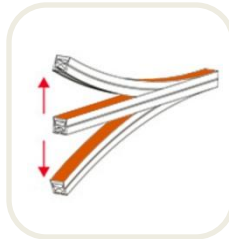


#### A. Side bend series :

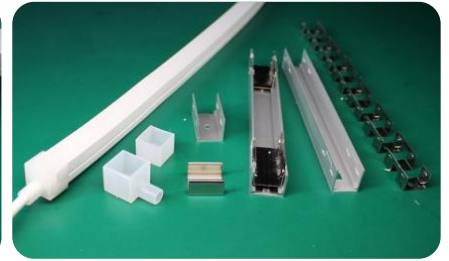
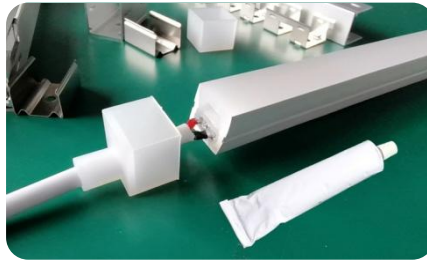
Neon light emitting surface can bend left and right.  
Can be bend into different shapes from the flat wall.

#### B. Top bend series :

Neon light emitting surface can bend up and down.  
You can bend into arc-shaped by follow the curved wall.



### 4 ) Cutting/Connecting/Mounting :

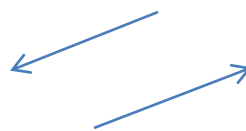


1. There are cut points every 5/10cm about , Confirm the length and cut off the light from cut line.
2. Welding to power cables, cover with end cap, sealed from cut point by silicon glue.
3. You can install neon light to desired location with different mounting accessories.
4. Different lengths / mounting accessories, weld-free connectors, please contact us.

### 5 ) Customized length/Packaging :



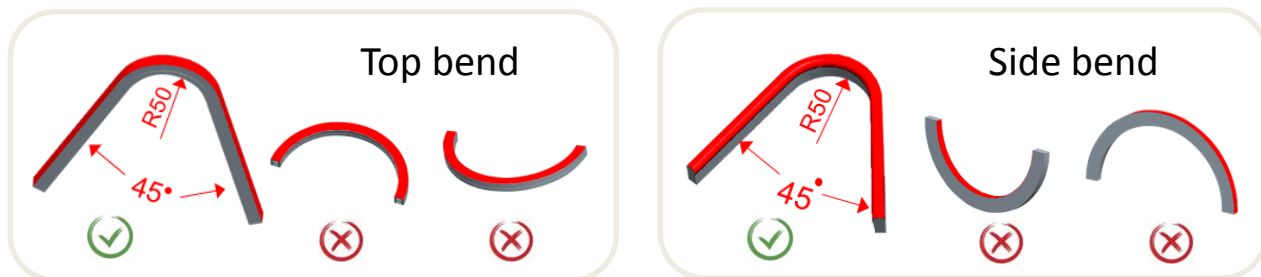
A. If there are different specific length less than 15meter, we can customize according to the requirements, and make independent packaging, You can install the light when you receive it.



B. If your length is not clear, we can make neon light into 50m /100m units(roll) , and supporting with various accessories, you can freely cut and reconnect and install to use.

## 6) Attention points :

1. Please attention the bending direction of the neon light, and follow the use method to avoid damaging the neon light.

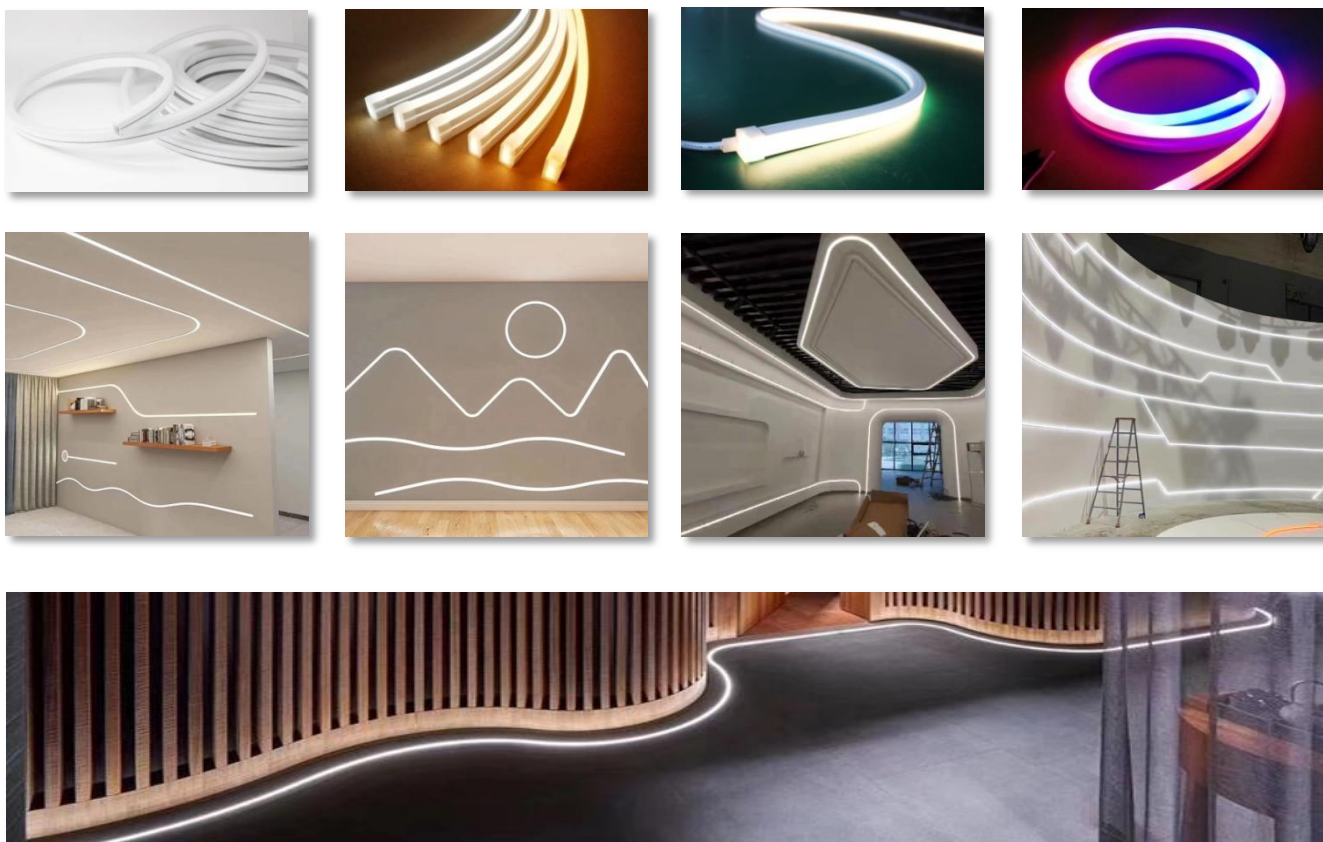


2. This series neon light are low-voltage DC5V/DC12V/DC24V options, please use transformer power supply, and ensure that the power of driver is bigger than the power of the neon light.
3. Please do not too hard to twist, pull, squeeze or pierce neon light to avoid damaging the internal light.



4. If neon light is dirty when install and using, use cotton cloth and wipe it with water or alcohol and clean it.

## 6) Product / Application display :

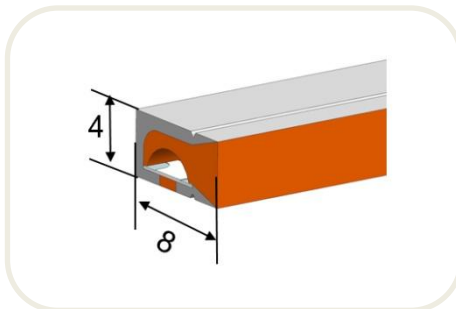


## 1 ) Silicone Extrusion (Side Bend) Series

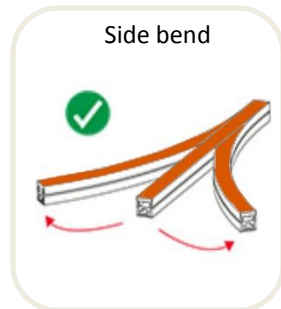
### Model 1 Picture



### Size Drawing



### Bending Direction



Recommended Star : ☆☆☆☆

Emitting : Flat top - Side Emitting

Bend Direction : Side bend

Model :	Voltage :	PCB width :	Power :	Color :	IP Rank :	Pack :
GY-NF-SE0408	DC5V/12V/24V	5 mm	10W/M	all single	IP67	1M-100M/Roll

### Accessories :



End cap



End cap no hole



End cap bottom hole



Stainless steel clip



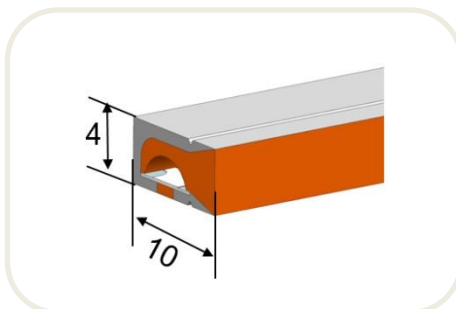
Stainless steel hoop

- Features:
1. Adopt high grade silicone rubber, integrated extrusion production process.
  2. Suitable for **FPCB 5MM** (Available led strip check from GY-LED STRIP LIGHT CATALOGUE).
  3. Mini size neon flex , Suitable for all kinds of small space installation and decoration lighting.

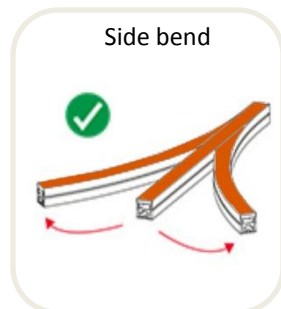
### Model 2 Picture



### Size Drawing



### Bending Direction



Recommended Star : ☆☆☆☆

Emitting : Flat top - Side Emitting

Bend Direction : Side bend

Model :	Voltage :	PCB width :	Power :	Color :	IP Rank :	Pack :
GY-NF-SE0410	DC5V/12V/24V	5/6 mm	10W/M	all single	IP67	1M-100M/Roll

### Accessories :



End cap



End cap no hole



End cap bottom hole



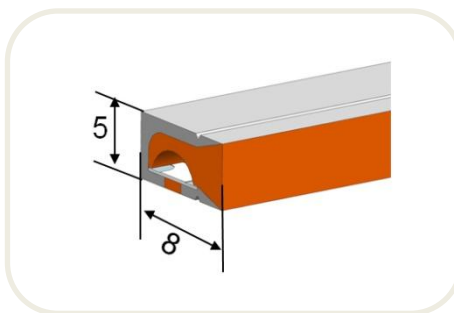
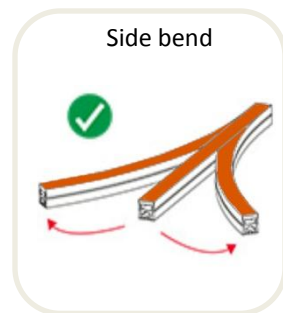
Stainless steel clip



Stainless steel hoop

- Features:
1. Adopt high grade silicone rubber, integrated extrusion production process.
  2. Suitable for **FPCB 5 / 6 MM** (available led strip check from GY-LED STRIP LIGHT CATALOGUE).
  3. Mini size neon flex , Suitable for all kinds of small space installation and decoration lighting.

**Model 3 Picture**

**Size Drawing**

**Bending Direction**


Recommended Star : ☆☆☆☆

Emitting : Flat top - Side Emitting

Bend Direction : Side bend

Model :	Voltage :	PCB width :	Power :	Color :	IP Rank :	Pack :
GY-NF-SE0508	DC5V/12V/24V	5 mm	10W/M	all single	IP67	1M-100M/Roll

**Accessories :**


End cap



End cap no hole



End cap bottom hole



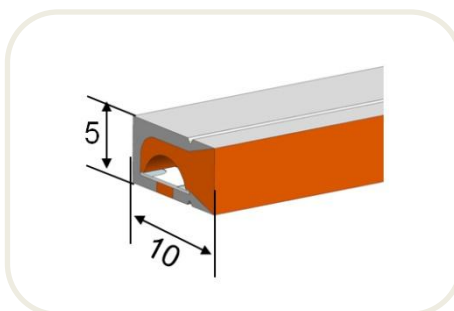
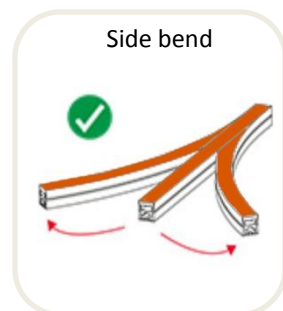
Stainless steel clip



Stainless steel hoop

- Features:
1. Adopt high grade silicone rubber, integrated extrusion production process.
  2. Suitable for **FPCB 5MM** (Available led strip check from GY-LED STRIP LIGHT CATALOGUE).
  3. Mini size neon flex , Suitable for all kinds of small space installation and decoration lighting.

**Model 4 Picture**

**Size Drawing**

**Bending Direction**


Recommended Star : ☆☆☆☆

Emitting : Flat top - Side Emitting

Bend Direction : Side bend

Model :	Voltage :	PCB width :	Power :	Color :	IP Rank :	Pack :
GY-NF-SE0510	DC5V/12V/24V	5/6 mm	10W/M	all single	IP67	1M-100M/Roll

**Accessories :**


End cap



End cap no hole



End cap bottom hole



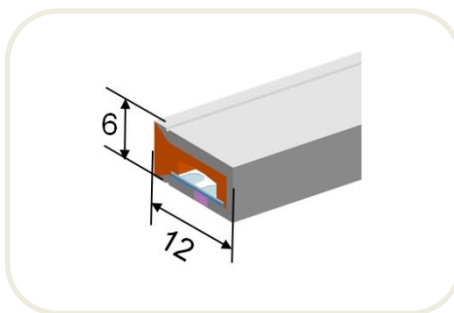
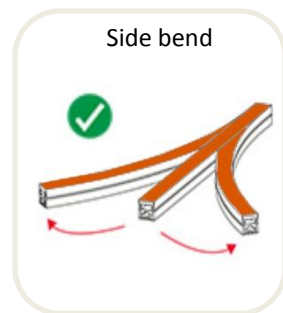
Stainless steel clip



Stainless steel hoop

- Features:
1. Adopt high grade silicone rubber, integrated extrusion production process.
  2. Suitable for **FPCB 5 / 6 MM** (available led strip check from GY-LED STRIP LIGHT CATALOGUE).
  3. Mini size neon flex , Suitable for all kinds of small space installation and decoration lighting.

**Model 5 Picture**

**Size Drawing**

**Bending Direction**


Recommended Star : ☆☆☆☆☆ Light Emitting : Flat top - Side Emitting Bend Direction : Side bend

Model :	Voltage :	PCB width :	Power :	Color :	IP Rank :	Pack :
GY-NF-SE0612	DC5V/12V/24V	8 mm	10W/M	Single/RGB	IP67	1M-100M/Roll

**Accessories :**


End cap



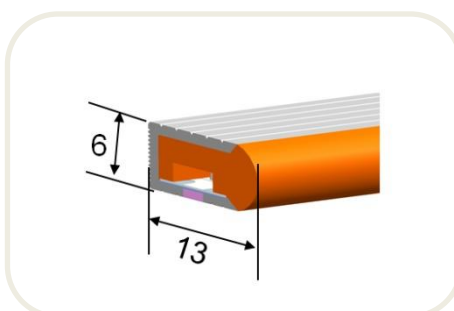
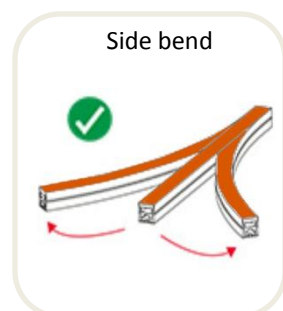
Free soldering connector



Steel / Aluminum clip

- Features:
1. Adopt high grade silicone rubber, integrated extrusion production process.
  2. Suitable for **FPCB 8 MM** (Available led strip check from GY-LED STRIP LIGHT CATALOGUE).
  3. Very **hot sales**, Single/RGB available, Suitable for engineering lighting, advertising word decoration.

**Model 6 Picture**

**Size Drawing**

**Bending Direction**


Recommended Star : ☆☆☆☆☆ Emitting : Round top - Side Emitting Bend Direction : Side bend

Model :	Voltage :	PCB width :	Power :	Color :	IP Rank :	Pack :
GY-NF-SE0613	DC5V/12V/24V	8 mm	10W/M	Single/RGB	IP67	1M-100M/Roll

**Accessories :**


End cap



Free soldering connector

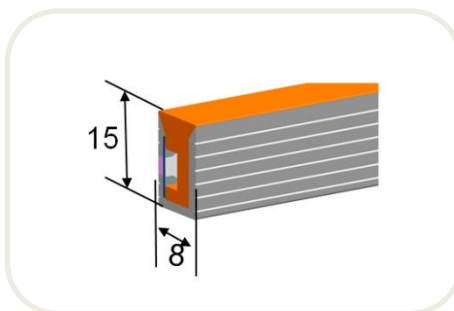
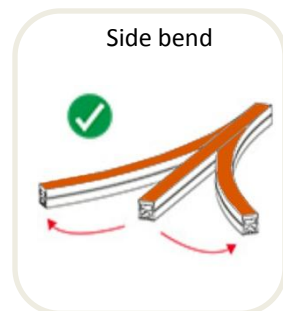


Steel / Aluminum clip

- Features:
1. Adopt high grade silicone rubber, integrated extrusion production process.
  2. Suitable for **FPCB 8 MM** (Available led strip check from GY-LED STRIP LIGHT CATALOGUE).
  3. Very **hot sales**, Single/RGB available, Suitable for engineering lighting, advertising word decoration.



**Model 7 Picture**

**Size Drawing**

**Bending Direction**


Recommended Star : ☆☆☆☆

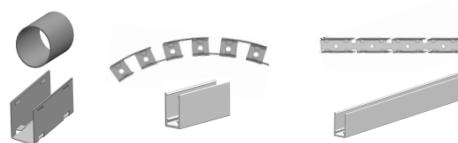
Light Emitting : Flat top - Side Emitting

Bend Direction : Side bend

Model :	Voltage :	PCB width :	Power :	Color :	IP Rank :	Pack :
GY-NF-SE0815	DC5V/12V/24V	10 mm	10W/M	Single/CCT/RGB/RGBW	IP67	1M-100M/Roll

**Accessories :**

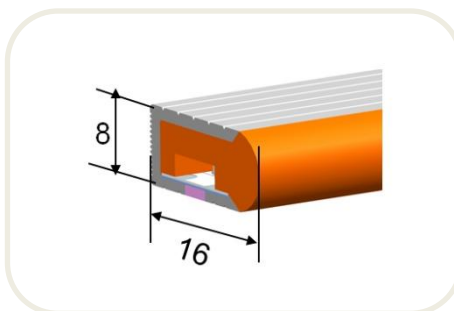
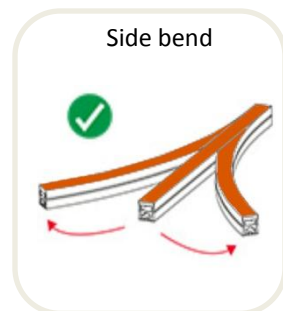

End cap



Steel / Aluminum clip

- Features:
1. Adopt high grade silicone rubber, integrated extrusion production process.
  2. Suitable for **FPCB 10 MM** (Available led strip check from GY-LED STRIP LIGHT CATALOGUE).
  3. **Hot sales**, Single/CCT/RGB/RGBW color available, Suitable for engineering lighting decoration.

**Model 8 Picture**

**Size Drawing**

**Bending Direction**


Recommended Star : ☆☆☆☆☆

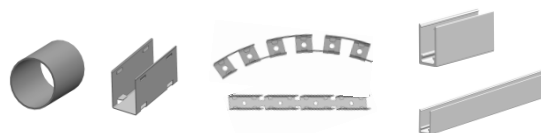
Emitting : Round top - Side Emitting

Bend Direction : Side bend

Model :	Voltage :	PCB width :	Power :	Color :	IP Rank :	Pack :
GY-NF-SE0816	DC5V/12V/24V	10 mm	10W/M	Single/CCT/RGB/RGBW	IP67	1M-100M/Roll

**Accessories :**

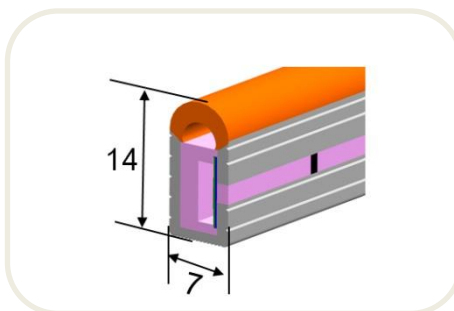
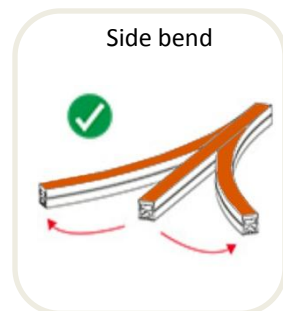

End cap



Steel / Aluminum clip

- Features:
1. Adopt high grade silicone rubber, integrated extrusion production process.
  2. Suitable for **FPCB 10 MM** (Available led strip check from GY-LED STRIP LIGHT CATALOGUE).
  3. **Hot sales**, Single/CCT/RGB/RGBW color available, Suitable for engineering lighting decoration.

**Model 9 Picture**

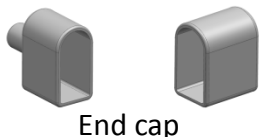
**Size Drawing**

**Bending Direction**


Recommended Star : ☆☆☆☆☆

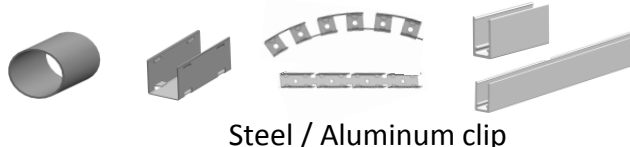
Emitting : Round top - Side Emitting

Bend Direction : Side bend

Model :	Voltage :	PCB width :	Power :	Color :	IP Rank :	Pack :
GY-NF-SE0714	DC5V/12V/24V	8 mm	10W/M	Single/CCT/RGB	IP67	1M-100M/Roll

**Accessories :**


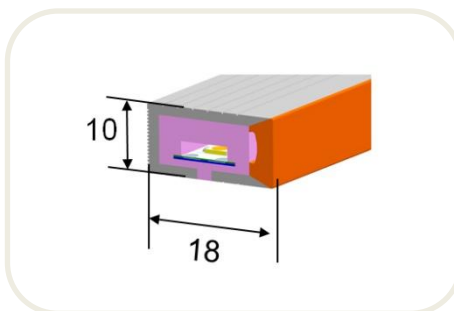
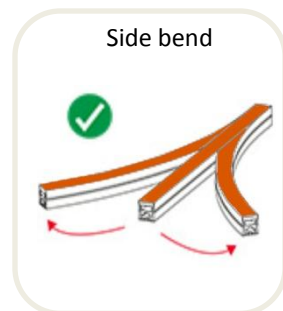
End cap



Steel / Aluminum clip

- Features:
1. Adopt high grade silicone rubber, integrated extrusion production process.
  2. Suitable for **FPCB 8 MM** (Available led strip check from GY-LED STRIP LIGHT CATALOGUE).
  3. Very **Hot sales offer**, Single/CCT/RGB color available, Suitable for engineering lighting decoration.

**Model 10 Picture**

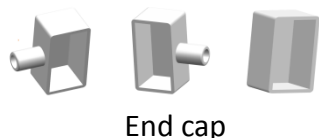
**Size Drawing**

**Bending Direction**


Recommended Star : ☆☆☆☆☆

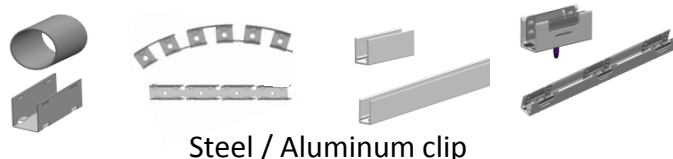
Light Emitting : Flat top - Side Emitting

Bend Direction : Side bend

Model :	Voltage :	PCB width :	Power :	Color :	IP Rank :	Pack :
GY-NF-SE1018	DC5V/12V/24V	8/10 mm	10W/M	Single/CCT/RGB/RGBW	IP67	1M-50M/Roll

**Accessories :**


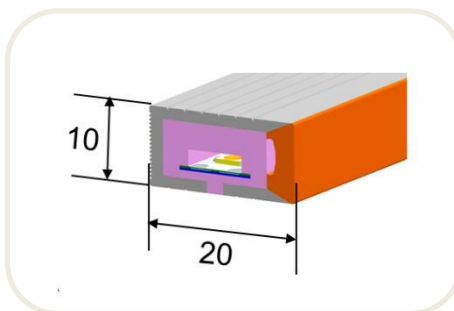
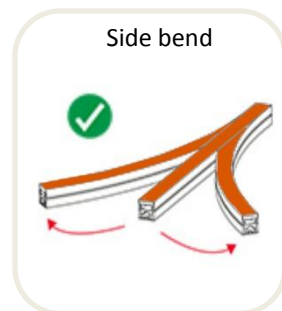
End cap



Steel / Aluminum clip

- Features:
1. Adopt high grade silicone rubber, integrated extrusion production process.
  2. Suitable for **FPCB 8 / 10 MM** (Available led strip check from GY-LED STRIP LIGHT CATALOGUE).
  3. **Hot sales**, Single/CCT/RGB/RGBW color available, Suitable for engineering decoration lighting.

**Model 11 Picture**

**Size Drawing**

**Bending Direction**


Recommended Star : ☆☆☆☆

Emitting : Flat top - Side Emitting

Bend Direction : Side bend

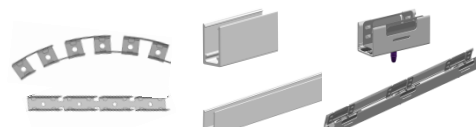
Model :	Voltage :	PCB width :	Power :	Color :	IP Rank :	Pack :
GY-NF-SE1020	DC5V/12V/24V	8/10/12 mm	10W/M	Single/CCT/RGB/RGBW	IP67	1M-50M/Roll

**Accessories :**


End cap



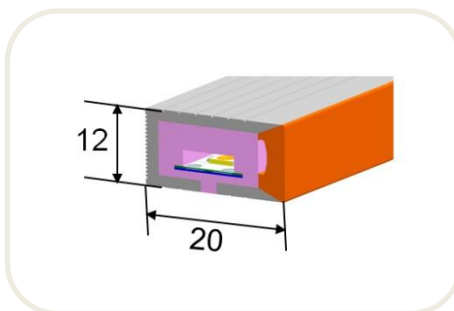
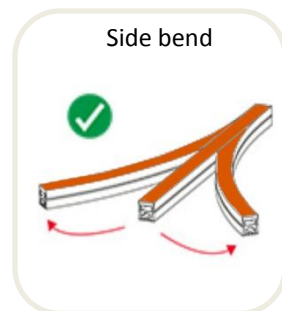
Free soldering connector



Steel / Aluminum clip

- Features:
1. Adopt high grade silicone rubber, integrated extrusion production process.
  2. Suitable for **FPCB 8/10/12 MM** (Available led strip check from GY-LED STRIP LIGHT CATALOGUE).
  3. Color options Single/CCT/RGB/RGBW color available, Suitable for engineering decoration lighting.

**Model 12 Picture**

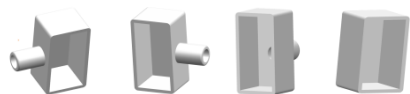
**Size Drawing**

**Bending Direction**


Recommended Star : ☆☆☆☆

Emitting : Flat top - Side Emitting

Bend Direction : Side bend

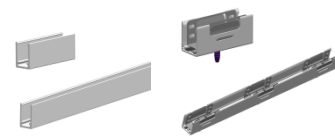
Model :	Voltage :	PCB width :	Power :	Color :	IP Rank :	Pack :
GY-NF-SE1220	DC5V/12V/24V	8/10/12 mm	10W/M	Single/CCT/RGB/RGBW	IP67	1M-50M/Roll

**Accessories :**


End cap

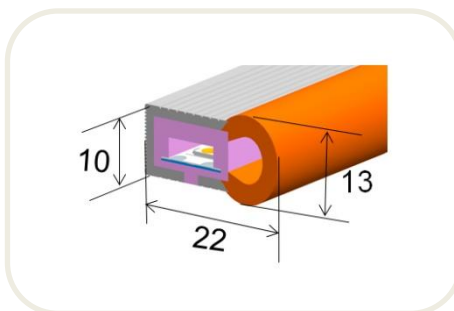
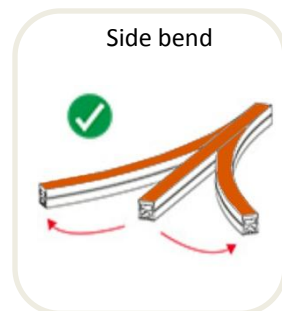


Steel / Aluminum clip



- Features:
1. Adopt high grade silicone rubber, integrated extrusion production process.
  2. Suitable for **FPCB 8/10/12 MM** (Available led strip check from GY-LED STRIP LIGHT CATALOGUE).
  3. Color options Single/CCT/RGB/RGBW color available, Suitable for engineering decoration lighting.

**Model 13 Picture**

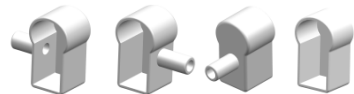
**Size Drawing**

**Bending Direction**


Recommended Star : ☆☆☆☆

Emitting : Round top - Side Emitting

Bend Direction : Side bend

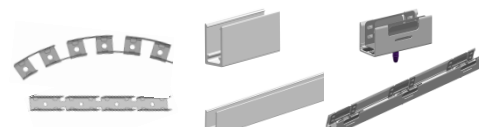
Model :	Voltage :	PCB width :	Power :	Color :	IP Rank :	Pack :
GY-NF-SE1022	DC12V/24V	8/10/12 mm	10W/M	Single/CCT/RGB/RGBW	IP67	1M-50M/Roll

**Accessories :**


End cap



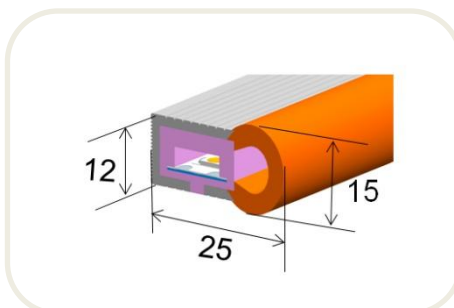
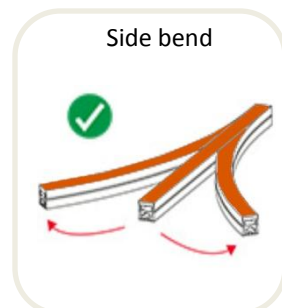
Free soldering connector



Steel / Aluminum clip

- Features:
1. Adopt high grade silicone rubber, integrated extrusion production process.
  2. Suitable for **FPCB 8/10/12 MM** (Available led strip check from GY-LED STRIP LIGHT CATALOGUE).
  3. Color options Single/CCT/RGB/RGBW color available, Suitable for engineering decoration lighting.

**Model 14 Picture**

**Size Drawing**

**Bending Direction**


Recommended Star : ☆☆☆☆

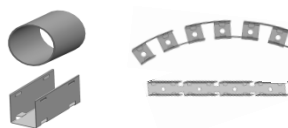
Emitting : Round top - Side Emitting

Bend Direction : Side bend

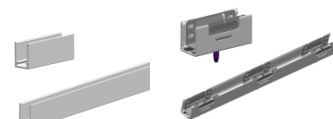
Model :	Voltage :	PCB width :	Power :	Color :	IP Rank :	Pack :
GY-NF-SE1225	DC12V/24V	8/10/12 mm	10W/M	Single/CCT/RGB/RGBW	IP67	1M-50M/Roll

**Accessories :**


End cap

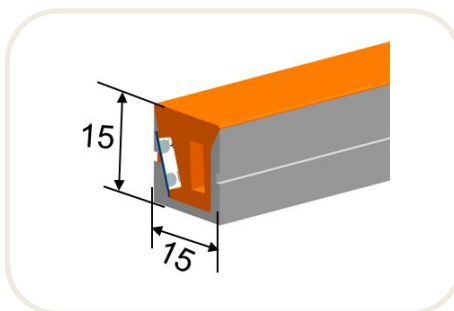
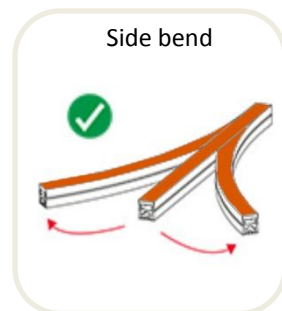


Steel / Aluminum clip



- Features:
1. Adopt high grade silicone rubber, integrated extrusion production process.
  2. Suitable for **FPCB 8/10/12 MM** (Available led strip check from GY-LED STRIP LIGHT CATALOGUE).
  3. Color options Single/CCT/RGB/RGBW color available, Suitable for engineering decoration lighting.

**Model 15 Picture**

**Size Drawing**

**Bending Direction**


Recommended Star : ☆☆☆☆

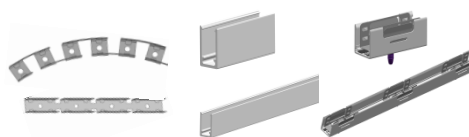
Emitting : Flat top - Side Emitting

Bend Direction : Side bend

Model :	Voltage :	PCB width :	Power :	Color :	IP Rank :	Pack :
GY-NF-SE1515A	DC12V/24V	10 mm	10W/M	Single/CCT/RGB/RGBW	IP67	1M-50M/Roll

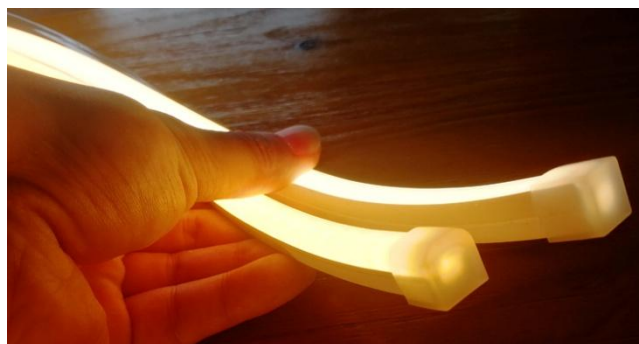
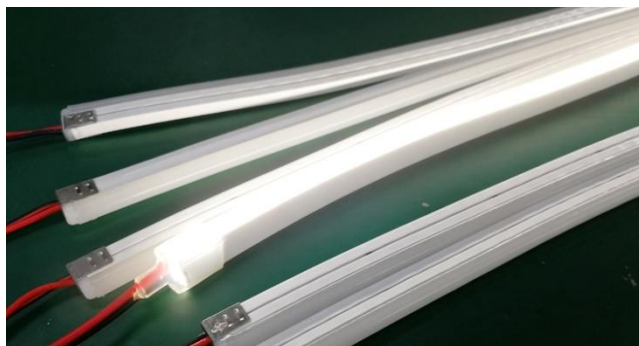
**Accessories :**


End cap



Steel / Aluminum clip

- Features:
1. Adopt high grade silicone rubber, integrated extrusion production process.
  2. Suitable for **FPCB 10 MM** (Available led strip check from GY-LED STRIP LIGHT CATALOGUE).
  3. Color options Single/CCT/RGB/RGBW color available, Suitable for engineering decoration lighting.

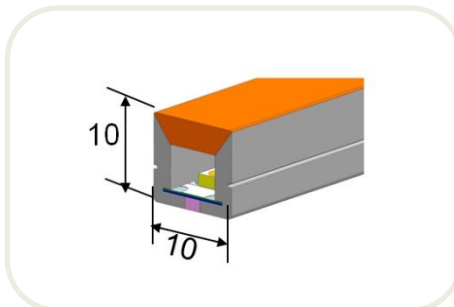


## 1 ) Silicone Extrusion (Top Bend) Series

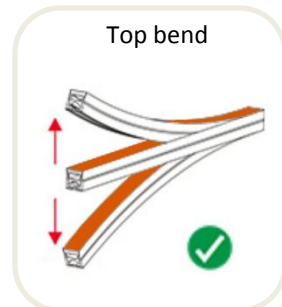
### Model 17 Picture



### Size Drawing



### Bending Direction



Recommended Star : ☆☆☆☆☆

Emitting : Flat top - Top Emitting

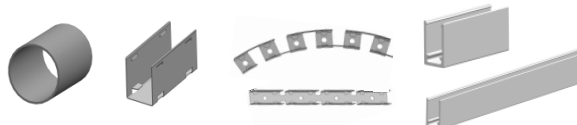
Bend Direction : Top bend

Model :	Voltage :	PCB width :	Power :	Color :	IP Rank :	Pack :
GY-NF-SE1010A	DC12V/24V	8 mm	10W/M	Single/CCT/RGB	IP67	1M-100M/Roll

### Accessories :



End cap



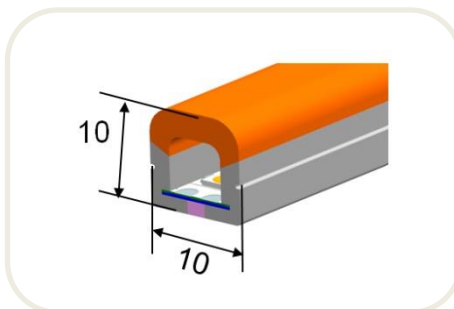
Steel / Aluminum clip

- Features:
1. Adopt high grade silicone rubber, integrated extrusion production process.
  2. Suitable for **FPCB 8 MM** (Available led strip check from GY-LED STRIP LIGHT CATALOGUE).
  3. Color options Single/CCT/RGB color available, Suitable for engineering decoration lighting.

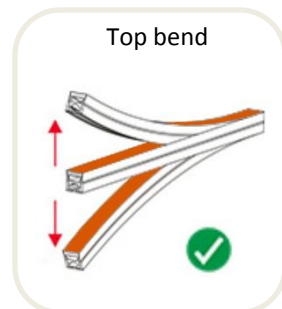
### Model 18 Picture



### Size Drawing



### Bending Direction



Recommended Star : ☆☆☆☆☆

Emitting : Round top - Top Emitting

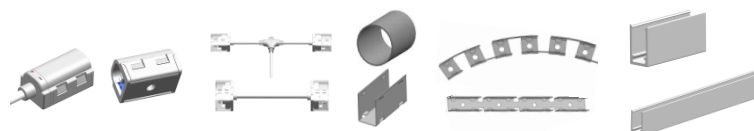
Bend Direction : Top bend

Model :	Voltage :	PCB width :	Power :	Color :	IP Rank :	Pack :
GY-NF-SE1010B	DC5V/12V/24V	8 mm	10W/M	Single/CCT/RGB	IP67	1M-100M/Roll

### Accessories :



End cap

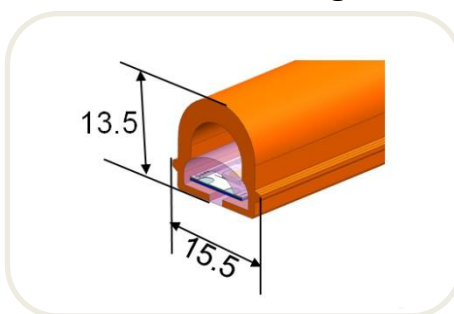
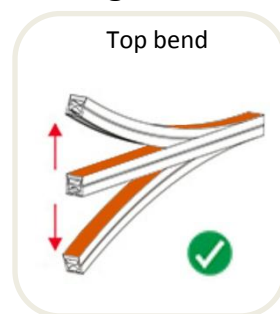


Free soldering connector

Steel / Aluminum clip

- Features:
1. Adopt high grade silicone rubber, integrated extrusion production process.
  2. Suitable for **FPCB 8 MM** (Available led strip check from GY-LED STRIP LIGHT CATALOGUE).
  3. Color options Single/CCT/RGB color available, Suitable for engineering decoration lighting.

**Model 19 Picture**

**Size Drawing**

**Bending Direction**


Recommended Star : ☆☆☆☆

Emitting : Round top - Top Emitting

Bend Direction : Top bend

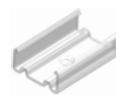
Model :	Voltage :	PCB width :	Power :	Color :	IP Rank :	Pack :
GY-NF-SE1315	DC12V/24V	8 mm	10W/M	Single/CCT/RGB	IP67	1M-100M/Roll

**Accessories :**


End cap

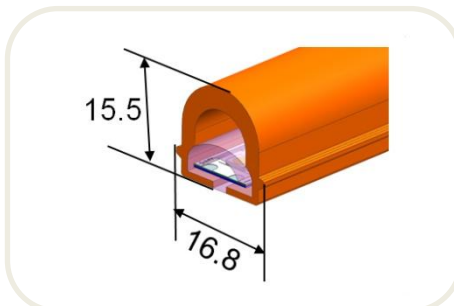
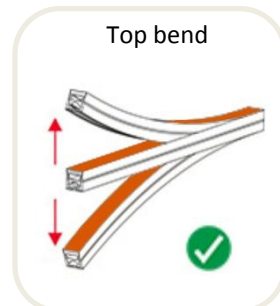


PC clip



- Features:
1. Adopt high grade silicone rubber, integrated extrusion production process.
  2. Suitable for **FPCB 8 MM** (Available led strip check from GY-LED STRIP LIGHT CATALOGUE).
  3. Color options Single/CCT/RGB color available, Suitable for engineering decoration lighting.

**Model 20 Picture**

**Size Drawing**

**Bending Direction**


Recommended Star : ☆☆☆☆

Emitting : Round top - Top Emitting

Bend Direction : Top bend

Model :	Voltage :	PCB width :	Power :	Color :	IP Rank :	Pack :
GY-NF-SE1516	DC12V/24V	8/10 mm	10W/M	Single/CCT/RGB/RGBW	IP67	1M-100M/Roll

**Accessories :**


End cap



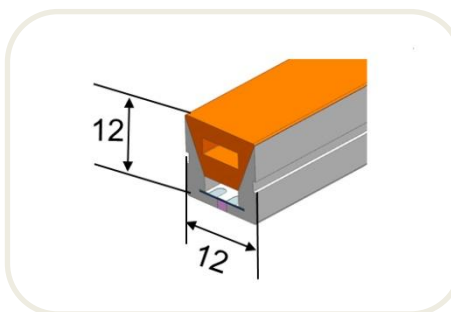
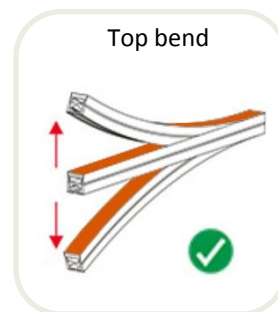
Free soldering connector



PC / Aluminum clip

- Features:
1. Adopt high grade silicone rubber, integrated extrusion production process.
  2. Suitable for **FPCB 8/10 MM** (Available led strip check from GY-LED STRIP LIGHT CATALOGUE).
  3. Color options Single/CCT/RGB/RGBW color available, Suitable for engineering decoration lighting.

**Model 21 Picture**

**Size Drawing**

**Bending Direction**


Recommended Star : ☆☆☆☆

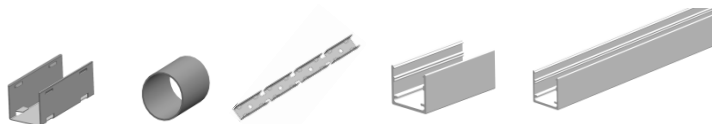
Emitting : Flat top - Top Emitting

Bend Direction : Top bend

Model :	Voltage :	PCB width :	Power :	Color :	IP Rank :	Pack :
GY-NF-SE1212	DC5V/12V/24V	10 mm	10W/M	Single/CCT/RGB/RGBW	IP67	1M-100M/Roll

**Accessories :**

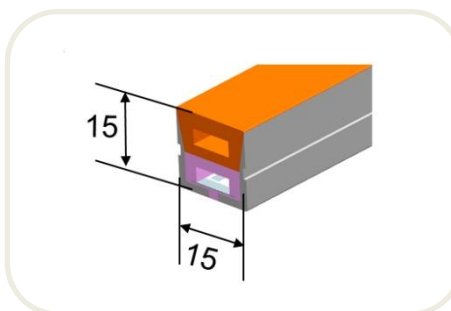
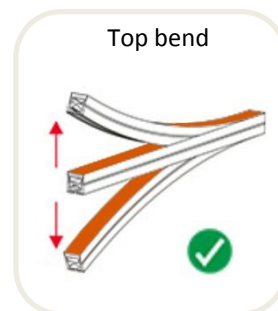

End cap



Steel / Aluminum clip

- Features:
1. Adopt high grade silicone rubber, integrated extrusion production process.
  2. Suitable for **FPCB 10 MM** (Available led strip check from GY-LED STRIP LIGHT CATALOGUE).
  3. Color options Single/CCT/RGB/RGBW color available, Suitable for engineering decoration lighting.

**Model 22 Picture**

**Size Drawing**

**Bending Direction**


Recommended Star : ☆☆☆☆

Emitting : Flat top - Top Emitting

Bend Direction : Top bend

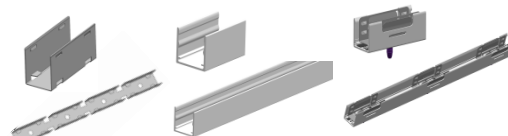
Model :	Voltage :	PCB width :	Power :	Color :	IP Rank :	Pack :
GY-NF-SE1515B	DC12V/24V	8/10 mm	10W/M	Single/CCT/RGB/RGBW	IP67	1M-50M/Roll

**Accessories :**


End cap



Free soldering connector

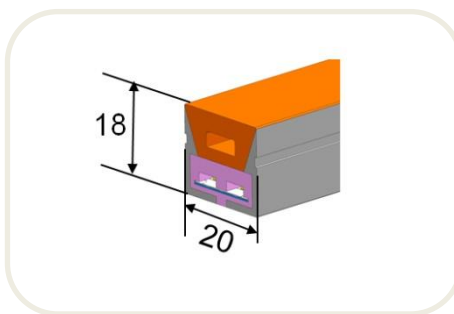
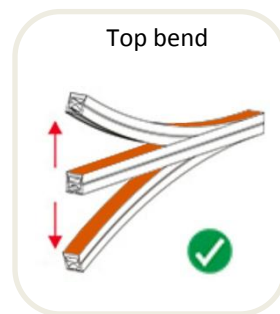


Steel / Aluminum clip

- Features:
1. Adopt high grade silicone rubber, integrated extrusion production process.
  2. Suitable for **FPCB 8/10 MM** (Available led strip check from GY-LED STRIP LIGHT CATALOGUE).
  3. Color options Single/CCT/RGB/RGBW color available, Suitable for engineering decoration lighting.



**Model 23 Picture**

**Size Drawing**

**Bending Direction**


Recommended Star : ☆☆☆☆

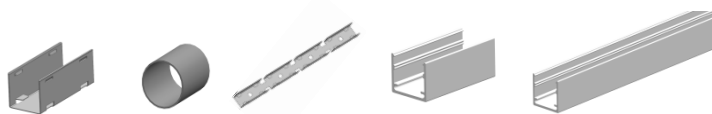
Emitting : Flat top - Top Emitting

Bend Direction : Top bend

Model :	Voltage :	PCB width :	Power :	Color :	IP Rank :	Pack :
GY-NF-SE2018A	DC12V/24V	10/12/15 mm	10W/M	Single/CCT/RGB/RGBW	IP67	1M-50M/Roll

**Accessories :**

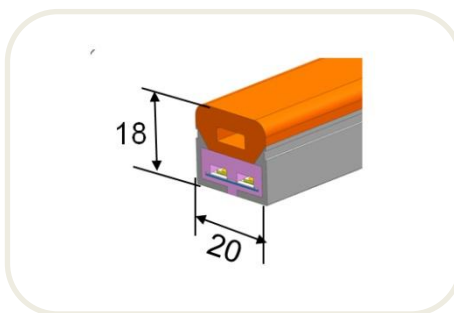

End cap



Steel / Aluminum clip

- Features:
1. Adopt high grade silicone rubber, integrated extrusion production process.
  2. Suitable for **FPCB 10/12/15 MM** (Available led strip check from GY-LED STRIP LIGHT CATALOGUE).
  3. Color options Single/CCT/RGB/RGBW color available, Suitable for engineering decoration lighting.

**Model 24 Picture**

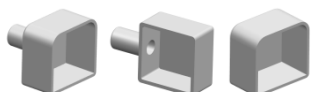
**Size Drawing**

**Bending Direction**


Recommended Star : ☆☆☆☆

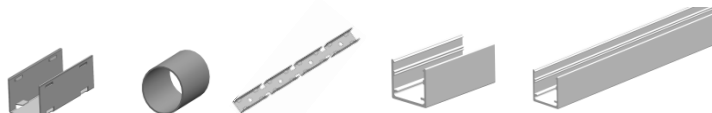
Emitting : Round top - Top Emitting

Bend Direction : Top bend

Model :	Voltage :	PCB width :	Power :	Color :	IP Rank :	Pack :
GY-NF-SE2018B	DC12V/24V	10/12/15 mm	10W/M	Single/CCT/RGB/RGBW	IP67	1M-50M/Roll

**Accessories :**


End cap

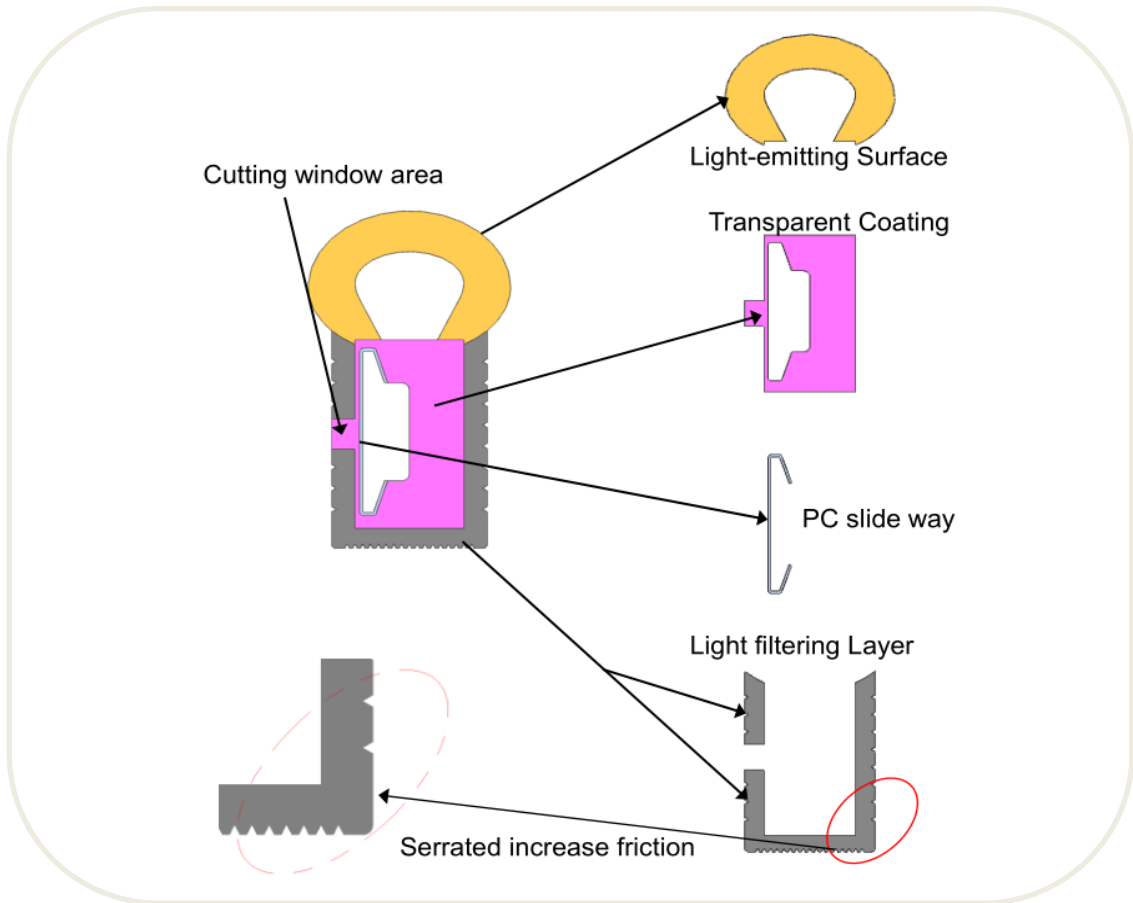


Steel / Aluminum clip

- Features:
1. Adopt high grade silicone rubber, integrated extrusion production process.
  2. Suitable for **FPCB 10/12/15 MM** (Available led strip check from GY-LED STRIP LIGHT CATALOGUE).
  3. Color options Single/CCT/RGB/RGBW color available, Suitable for engineering decoration lighting.

## LED Neon Flex - Silicone Tube Series

### 1 ) Product Diagrams :



### 2 ) Product description :

1. Silicone Tube neon light has a simpler production process. We put the LED strip light into the ready silicone tube and seals the both end, and then completes the light product.
2. Silicone Tube and silicone extrusion have basically the same characteristics and mold size. They have the same bending direction, the same cutting points and connection way, the same mounting accessories.
3. Silicone tube neon light can only make to lengths less than 15m, suitable for shorter light production and applications, support with different power line and connection line.

### 3 ) Product advantage :

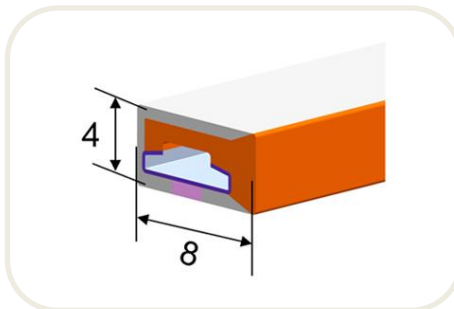
1. Better adaptability.
2. Smaller requirements of light source.
3. More competitive price.
4. Shorter production cycle and Faster delivery.

## 1 ) Silicone Tube (Side Bend) Series

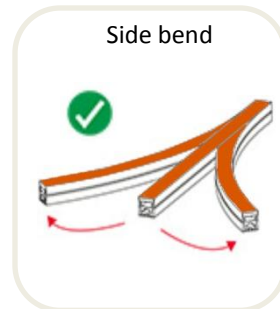
### Model 25 Picture



### Size Drawing



### Bending Direction



Recommended Star : ☆☆☆☆

Emitting : Flat top - Side Emitting

Bend Direction : Side bend

Model :	Voltage :	PCB width :	Power :	Color :	IP Rank :	Pack :
GY-NF-ST0408	DC5V/12V/24V	5 mm	10W/M	all single	IP67	1M-10M/Roll

### Accessories :



End cap



End cap no hole



End cap bottom hole



Stainless steel clip



Stainless steel hoop

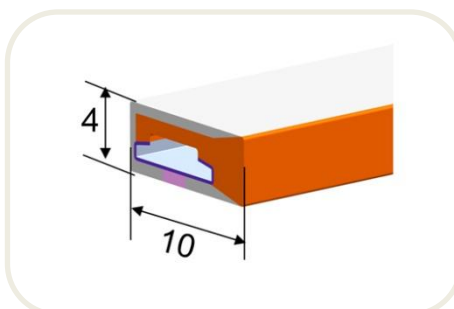
### Features:

1. Suitable for **FPCB 5MM** (Available led strip check from GY-LED STRIP LIGHT CATALOGUE).
2. Mini size neon flex , Suitable for all kinds of small space installation and decoration lighting.

### Model 26 Picture



### Size Drawing



### Bending Direction



Recommended Star : ☆☆☆☆

Emitting : Flat top - Side Emitting

Bend Direction : Side bend

Model :	Voltage :	PCB width :	Power :	Color :	IP Rank :	Pack :
GY-NF-ST0410	DC5V/12V/24V	5/6 mm	10W/M	all single	IP67	1M-10M/Roll

### Accessories :



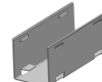
End cap



End cap no hole



End cap bottom hole



Stainless steel clip

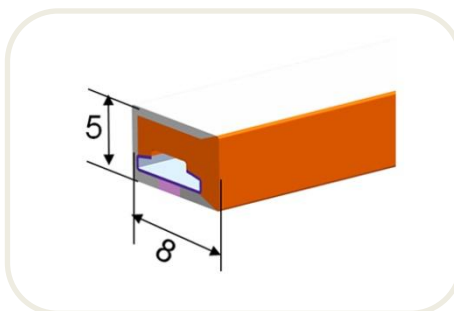
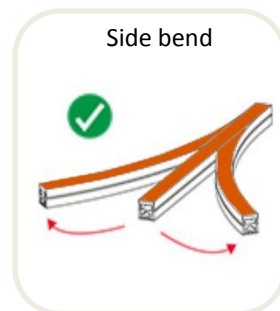


Stainless steel hoop

### Features:

1. Suitable for **FPCB 5 / 6 MM** (available led strip check from GY-LED STRIP LIGHT CATALOGUE).
2. Mini size neon flex , Suitable for all kinds of small space installation and decoration lighting.

**Model 27 Picture**

**Size Drawing**

**Bending Direction**


Recommended Star : ☆☆☆☆

Emitting : Flat top - Side Emitting

Bend Direction : Side bend

Model :	Voltage :	PCB width :	Power :	Color :	IP Rank :	Pack :
GY-NF-ST0508	DC5V/12V/24V	5 mm	10W/M	all single	IP67	1M-10M/Roll

**Accessories :**


End cap



End cap no hole



End cap bottom hole



Stainless steel clip

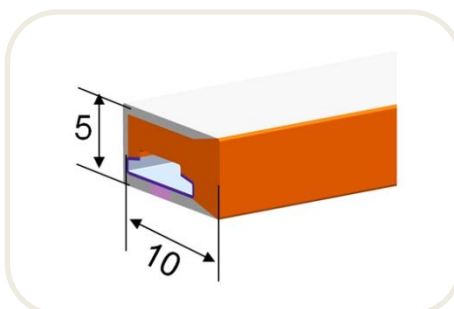


Stainless steel hoop

**Features:**

1. Suitable for **FPCB 5MM** (Available led strip check from GY-LED STRIP LIGHT CATALOGUE).
2. Mini size neon flex , Suitable for all kinds of small space installation and decoration lighting.

**Model 28 Picture**

**Size Drawing**

**Bending Direction**


Recommended Star : ☆☆☆☆

Emitting : Flat top - Side Emitting

Bend Direction : Side bend

Model :	Voltage :	PCB width :	Power :	Color :	IP Rank :	Pack :
GY-NF-ST0510	DC5V/12V/24V	5/6 mm	10W/M	all single	IP67	1M-10M/Roll

**Accessories :**


End cap



End cap no hole



End cap bottom hole



Stainless steel clip

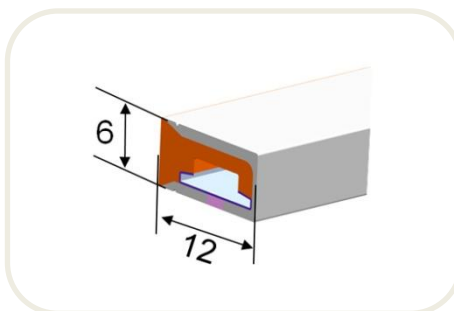
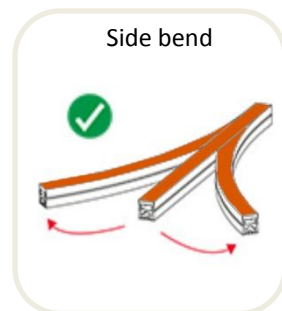


Stainless steel hoop

**Features:**

1. Suitable for **FPCB 5 / 6 MM** (available led strip check from GY-LED STRIP LIGHT CATALOGUE).
2. Mini size neon flex , Suitable for all kinds of small space installation and decoration lighting.

**Model 29 Picture**

**Size Drawing**

**Bending Direction**


Recommended Star : ☆☆☆☆☆ Light Emitting : Flat top - Side Emitting Bend Direction : Side bend

Model :	Voltage :	PCB width :	Power :	Color :	IP Rank :	Pack :
GY-NF-ST0612	DC5V/12V/24V	8 mm	10W/M	Single/RGB	IP67	1M-10M/Roll

**Accessories :**


End cap



Free soldering connector

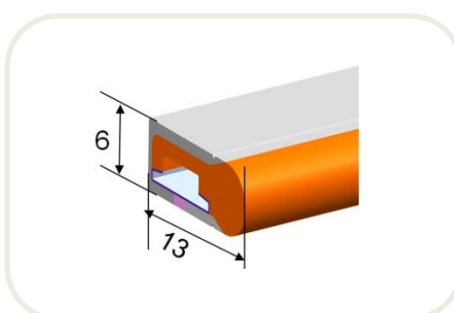
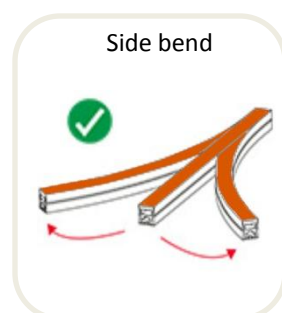


Steel / Aluminum clip

**Features:**

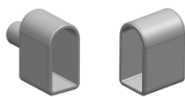
- Suitable for **FPCB 8 MM** (Available led strip check from GY-LED STRIP LIGHT CATALOGUE).
- Very **hot sales**, Single/RGB available, Suitable for engineering lighting, advertising word decoration.

**Model 30 Picture**

**Size Drawing**

**Bending Direction**


Recommended Star : ☆☆☆☆☆ Emitting : Round top - Side Emitting Bend Direction : Side bend

Model :	Voltage :	PCB width :	Power :	Color :	IP Rank :	Pack :
GY-NF-ST0613	DC5V/12V/24V	8 mm	10W/M	Single/RGB	IP67	1M-10M/Roll

**Accessories :**


End cap



Free soldering connector

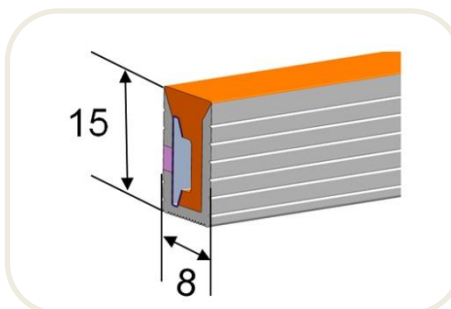
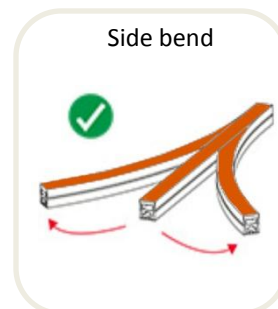


Steel / Aluminum clip

**Features:**

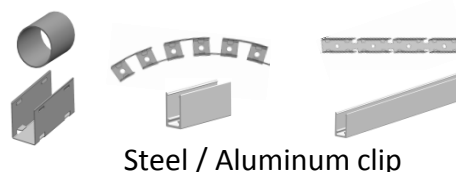
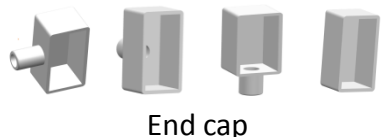
- Suitable for **FPCB 8 MM** (Available led strip check from GY-LED STRIP LIGHT CATALOGUE).
- Very **hot sales**, Single/RGB available, Suitable for engineering lighting, advertising word decoration.

**Model 31 Picture**

**Size Drawing**

**Bending Direction**


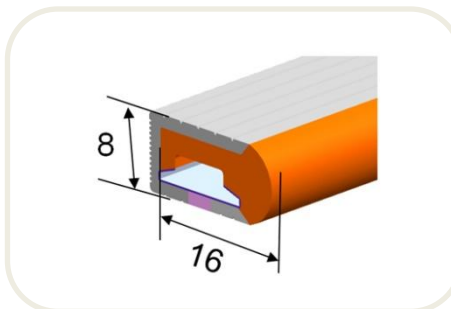
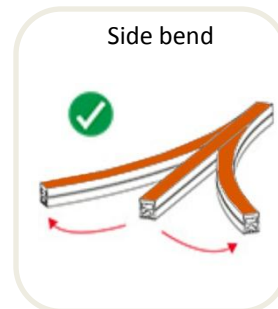
Recommended Star : ☆☆☆☆☆ Light Emitting : Flat top - Side Emitting Bend Direction : Side bend

Model :	Voltage :	PCB width :	Power :	Color :	IP Rank :	Pack :
GY-NF-ST0815	DC12V/24V	10 mm	10W/M	Single/CCT/RGB/RGBW	IP67	1M-10M/Roll

**Accessories :**

**Features:**

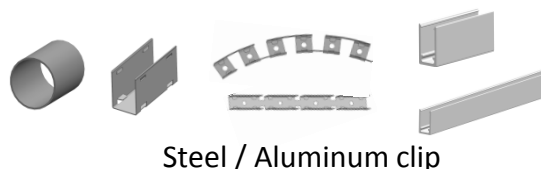
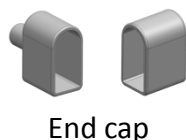
- Suitable for **FPCB 10 MM** (Available led strip check from GY-LED STRIP LIGHT CATALOGUE).
- Hot sales**, Single/CCT/RGB/RGBW color available, Suitable for engineering lighting decoration.

**Model 32 Picture**

**Size Drawing**

**Bending Direction**


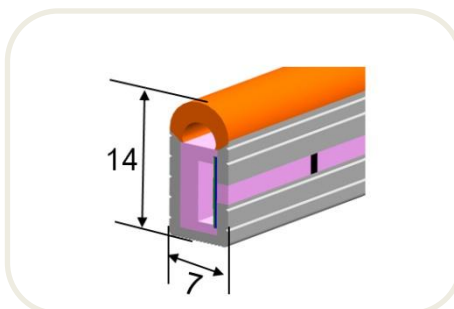
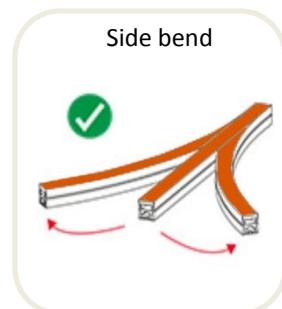
Recommended Star : ☆☆☆☆☆ Emitting : Round top - Side Emitting Bend Direction : Side bend

Model :	Voltage :	PCB width :	Power :	Color :	IP Rank :	Pack :
GY-NF-ST0816	DC5V/12V/24V	10 mm	10W/M	Single/CCT/RGB/RGBW	IP67	1M-10M/Roll

**Accessories :**

**Features:**

- Suitable for **FPCB 10 MM** (Available led strip check from GY-LED STRIP LIGHT CATALOGUE).
- Hot sales**, Single/CCT/RGB/RGBW color available, Suitable for engineering lighting decoration.

**Model 33 Picture**

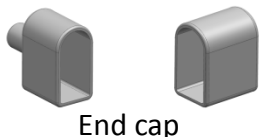
**Size Drawing**

**Bending Direction**


Recommended Star : ☆☆☆☆☆

Emitting : Round top - Side Emitting

Bend Direction : Side bend

Model :	Voltage :	PCB width :	Power :	Color :	IP Rank :	Pack :
GY-NF-ST0714	DC5V/12V/24V	8 mm	10W/M	Single/CCT/RGB	IP67	1M-10M/Roll

**Accessories :**


End cap

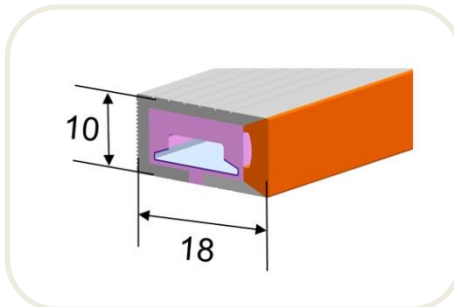
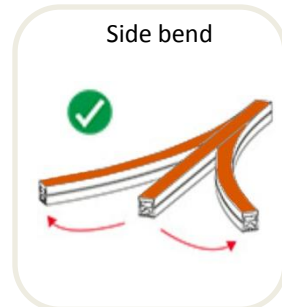


Steel / Aluminum clip

**Features:**

- Suitable for **FPCB 8 MM** (Available led strip check from GY-LED STRIP LIGHT CATALOGUE).
- Very **Hot sales offer**, Single/CCT/RGB color available, Suitable for engineering lighting decoration.

**Model 34 Picture**

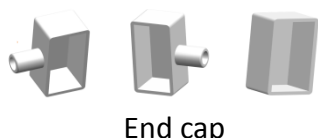
**Size Drawing**

**Bending Direction**


Recommended Star : ☆☆☆☆☆

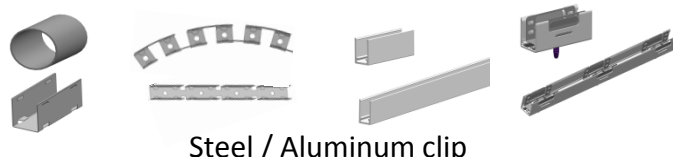
Light Emitting : Flat top - Side Emitting

Bend Direction : Side bend

Model :	Voltage :	PCB width :	Power :	Color :	IP Rank :	Pack :
GY-NF-ST1018	DC5V/12V/24V	8/10 mm	10W/M	Single/CCT/RGB/RGBW	IP67	1M-10M/Roll

**Accessories :**


End cap

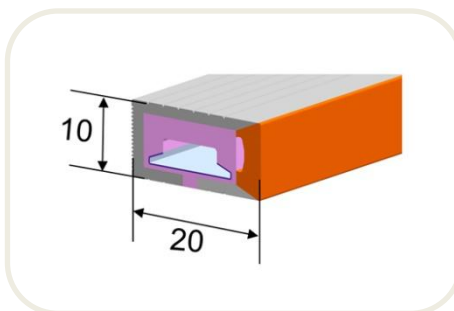


Steel / Aluminum clip

**Features:**

- Suitable for **FPCB 8 / 10 MM** (Available led strip check from GY-LED STRIP LIGHT CATALOGUE).
- Hot sales**, Single/CCT/RGB/RGBW color available, Suitable for engineering decoration lighting.

**Model 35 Picture**

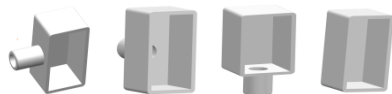
**Size Drawing**

**Bending Direction**


Recommended Star : ☆☆☆☆

Emitting : Flat top - Side Emitting

Bend Direction : Side bend

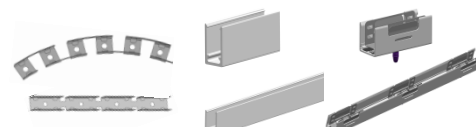
Model :	Voltage :	PCB width :	Power :	Color :	IP Rank :	Pack :
GY-NF-ST1020	DC12V/24V	8/10/12 mm	10W/M	Single/CCT/RGB/RGBW	IP67	1M-10M/Roll

**Accessories :**


End cap



Free soldering connector

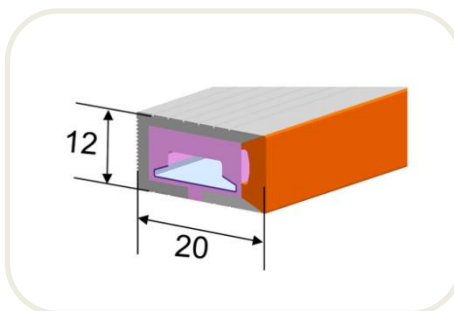
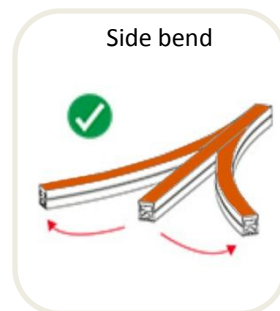


Steel / Aluminum clip

**Features:**

- Suitable for **FPCB 8/10/12 MM** (Available led strip check from GY-LED STRIP LIGHT CATALOGUE).
- Color options Single/CCT/RGB/RGBW color available, Suitable for engineering decoration lighting.

**Model 36 Picture**

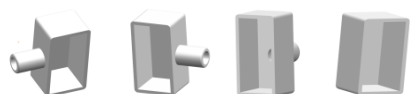
**Size Drawing**

**Bending Direction**


Recommended Star : ☆☆☆☆

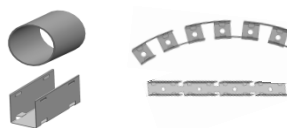
Emitting : Flat top - Side Emitting

Bend Direction : Side bend

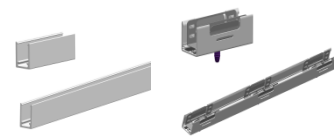
Model :	Voltage :	PCB width :	Power :	Color :	IP Rank :	Pack :
GY-NF-ST1220	DC12V/24V	8/10/12 mm	10W/M	Single/CCT/RGB/RGBW	IP67	1M-10M/Roll

**Accessories :**


End cap



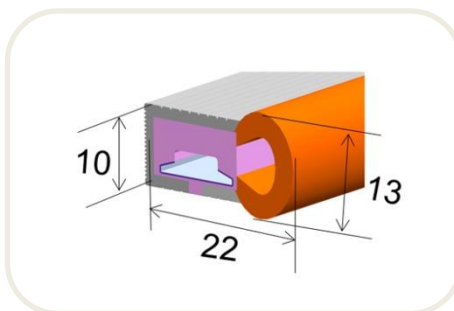
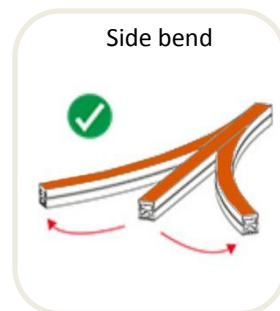
Steel / Aluminum clip


**Features:**

- Suitable for **FPCB 8/10/12 MM** (Available led strip check from GY-LED STRIP LIGHT CATALOGUE).
- Color options Single/CCT/RGB/RGBW color available, Suitable for engineering decoration lighting.



**Model 37 Picture**

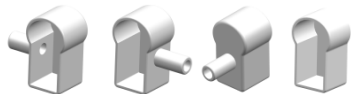
**Size Drawing**

**Bending Direction**


Recommended Star : ☆☆☆☆

Emitting : Round top - Side Emitting

Bend Direction : Side bend

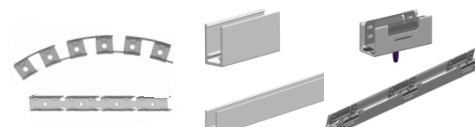
Model :	Voltage :	PCB width :	Power :	Color :	IP Rank :	Pack :
GY-NF-ST1022	DC5V/12V/24V	8/10 mm	10W/M	Single/CCT/RGB/RGBW	IP67	1M-10M/Roll

**Accessories :**


End cap



Free soldering connector

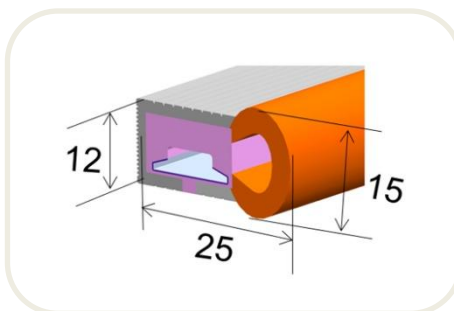
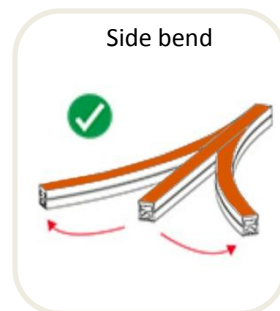


Steel / Aluminum clip

**Features:**

- Suitable for **FPCB 8/10 MM** (Available led strip check from GY-LED STRIP LIGHT CATALOGUE).
- Color options Single/CCT/RGB/RGBW color available, Suitable for engineering decoration lighting.

**Model 38 Picture**

**Size Drawing**

**Bending Direction**


Recommended Star : ☆☆☆☆

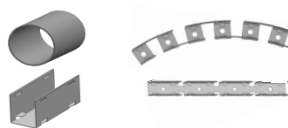
Emitting : Round top - Side Emitting

Bend Direction : Side bend

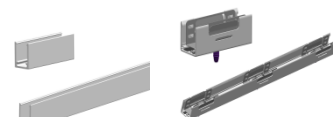
Model :	Voltage :	PCB width :	Power :	Color :	IP Rank :	Pack :
GY-NF-ST1225	DC5V/12V/24V	8/10/12 mm	10W/M	Single/CCT/RGB/RGBW	IP67	1M-10M/Roll

**Accessories :**

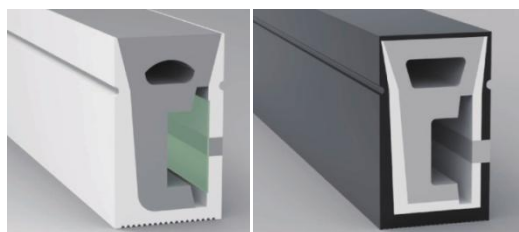
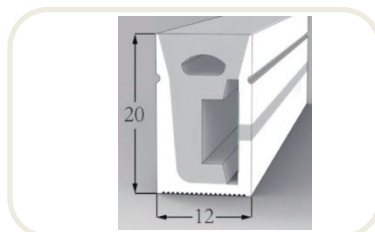
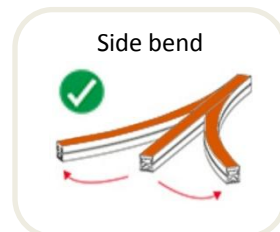

End cap



Steel / Aluminum clip


**Features:**

- Suitable for **FPCB 8/10/12 MM** (Available led strip check from GY-LED STRIP LIGHT CATALOGUE).
- Color options Single/CCT/RGB/RGBW color available, Suitable for engineering decoration lighting.

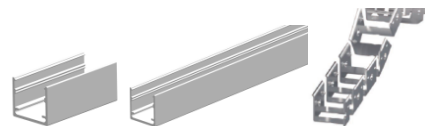
**Model 39 Picture**

**Size Drawing**

**Bending Direction**

 ☆ **White/Black Housing**
**Accessories :**

Emitting : Flat top - Side Emitting

Bend Direction : Side bend

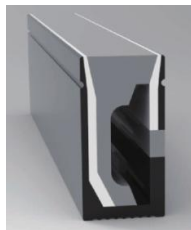


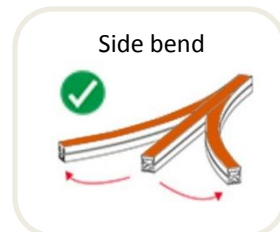
End cap



Steel / Aluminum clip

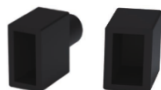
Model :	Voltage :	PCB width :	Power :	Color :	IP Rank :	Pack :
GY-NF-ST1220B	DC12V/24V	12 mm	10W/M	Single/RGB/RGBW	IP67	1M-10M/Roll

**Model 40 Picture**

**Size Drawing**

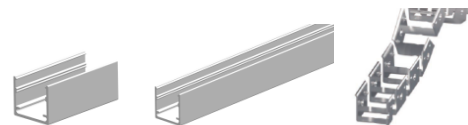
**Bending Direction**

 ☆ **Black Housing**
**Accessories :**

Emitting : Flat top - Side Emitting

Bend Direction : Side bend



End cap

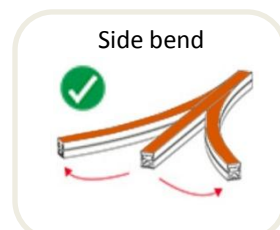


Steel / Aluminum clip

Model :	Voltage :	PCB width :	Power :	Color :	IP Rank :	Pack :
GY-NF-ST0612B	DC12V/24V	10 mm	10W/M	Single/RGB/RGBW	IP67	1M-10M/Roll

**Model 41 Picture**

**Size Drawing**

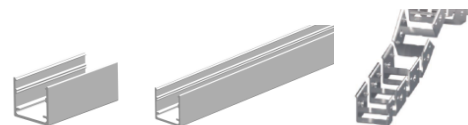
**Bending Direction**

 ☆ **Black Housing**
**Accessories :**

Emitting : Flat top - Side Emitting

Bend Direction : Side bend



End cap



Steel / Aluminum clip

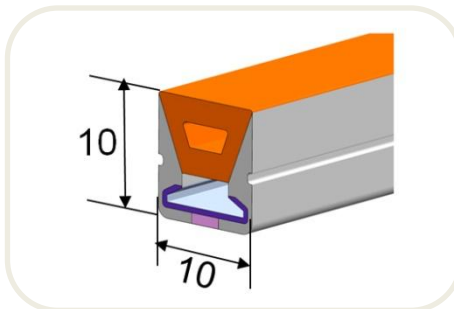
Model :	Voltage :	PCB width :	Power :	Color :	IP Rank :	Pack :
GY-NF-ST0616	DC12V/24V	12 mm	10W/M	Single/RGB/RGBW	IP67	1M-10M/Roll

## 1 ) Silicone Tube (Top Bend) Series

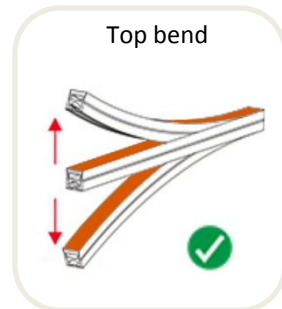
### Model 42 Picture



### Size Drawing



### Bending Direction



Recommended Star : ☆☆☆☆☆

Emitting : Flat top - Top Emitting

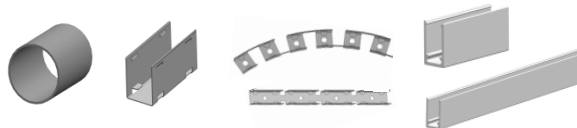
Bend Direction : Top bend

Model :	Voltage :	PCB width :	Power :	Color :	IP Rank :	Pack :
GY-NF-ST1010A	DC5V/12V/24V	8 mm	10W/M	Single/CCT/RGB	IP67	1M-10M/Roll

### Accessories :



End cap



Steel / Aluminum clip

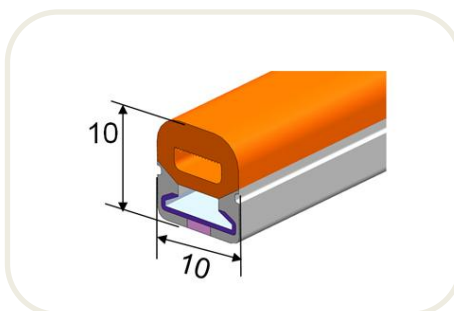
### Features:

- Suitable for **FPCB 8 MM** (Available led strip check from GY-LED STRIP LIGHT CATALOGUE).
- Color options Single/CCT/RGB color available, Suitable for engineering decoration lighting.

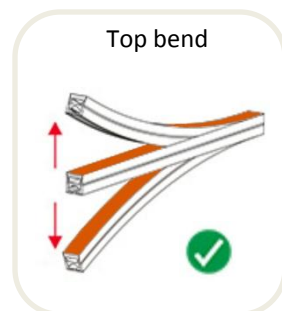
### Model 43 Picture



### Size Drawing



### Bending Direction



Recommended Star : ☆☆☆☆☆

Emitting : Round top - Top Emitting

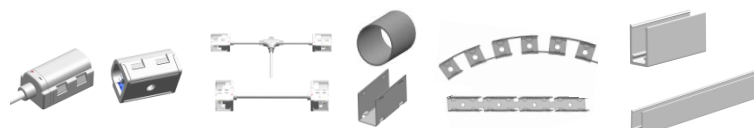
Bend Direction : Top bend

Model :	Voltage :	PCB width :	Power :	Color :	IP Rank :	Pack :
GY-NF-ST1010B	DC5V/12V/24V	8 mm	10W/M	Single/CCT/RGB	IP67	1M-10M/Roll

### Accessories :



End cap



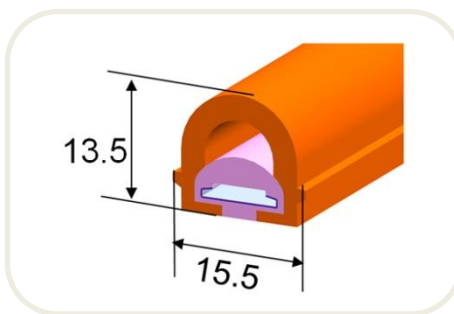
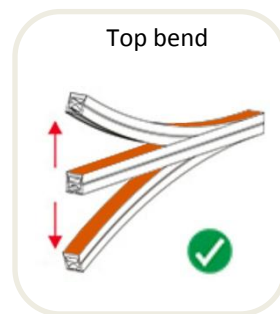
Free soldering connector

Steel / Aluminum clip

### Features:

- Suitable for **FPCB 8 MM** (Available led strip check from GY-LED STRIP LIGHT CATALOGUE).
- Color options Single/CCT/RGB color available, Suitable for engineering decoration lighting.

**Model 44 Picture**

**Size Drawing**

**Bending Direction**


Recommended Star : ☆☆☆☆

Emitting : Round top - Top Emitting

Bend Direction : Top bend

Model :	Voltage :	PCB width :	Power :	Color :	IP Rank :	Pack :
GY-NF-ST1315	DC5V/12V/24V	8 mm	10W/M	Single/CCT/RGB	IP67	1M-10M/Roll

**Accessories :**


End cap

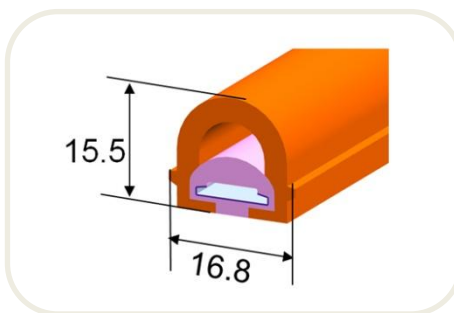
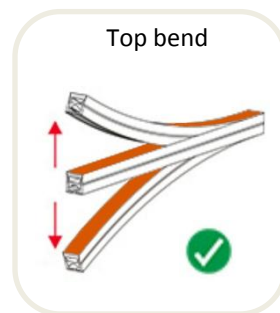


PC clip


**Features:**

- Suitable for **FPCB 8 MM** (Available led strip check from GY-LED STRIP LIGHT CATALOGUE).
- Color options Single/CCT/RGB color available, Suitable for engineering decoration lighting.

**Model 45 Picture**

**Size Drawing**

**Bending Direction**


Recommended Star : ☆☆☆☆

Emitting : Round top - Top Emitting

Bend Direction : Top bend

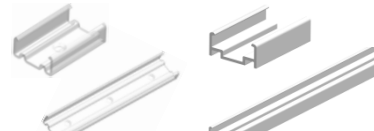
Model :	Voltage :	PCB width :	Power :	Color :	IP Rank :	Pack :
GY-NF-ST1516	DC5V/12V/24V	8/10 mm	10W/M	Single/CCT/RGB/RGBW	IP67	1M-10M/Roll

**Accessories :**


End cap



Free soldering connector

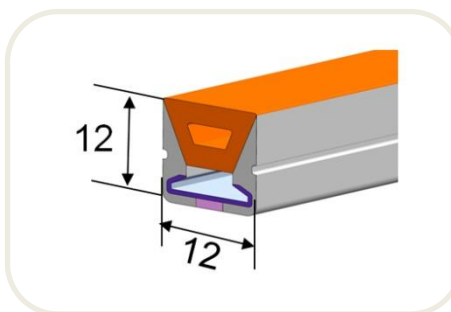
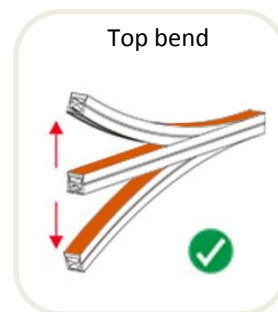


PC / Aluminum clip

**Features:**

- Suitable for **FPCB 8/10 MM** (Available led strip check from GY-LED STRIP LIGHT CATALOGUE).
- Color options Single/CCT/RGB/RGBW color available, Suitable for engineering decoration lighting.

**Model 46 Picture**

**Size Drawing**

**Bending Direction**


Recommended Star : ☆☆☆☆

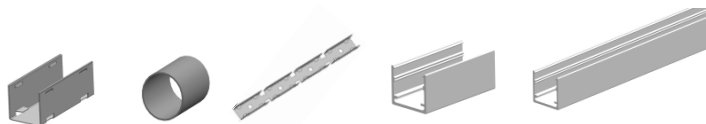
Emitting : Flat top - Top Emitting

Bend Direction : Top bend

Model :	Voltage :	PCB width :	Power :	Color :	IP Rank :	Pack :
GY-NF-ST1212	DC5V/12V/24V	10 mm	10W/M	Single/CCT/RGB/RGBW	IP67	1M-10M/Roll

**Accessories :**


End cap

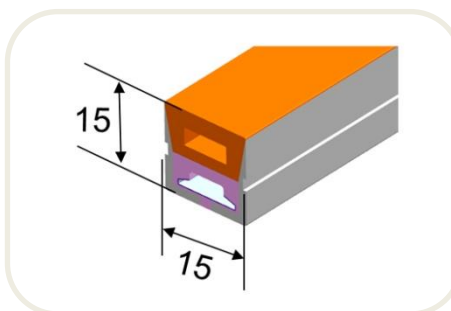
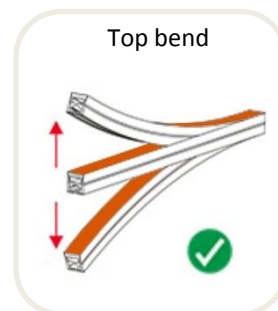


Steel / Aluminum clip

**Features:**

- Suitable for **FPCB 10 MM** (Available led strip check from GY-LED STRIP LIGHT CATALOGUE).
- Color options Single/CCT/RGB/RGBW color available, Suitable for engineering decoration lighting.

**Model 47 Picture**

**Size Drawing**

**Bending Direction**


Recommended Star : ☆☆☆☆

Emitting : Flat top - Top Emitting

Bend Direction : Top bend

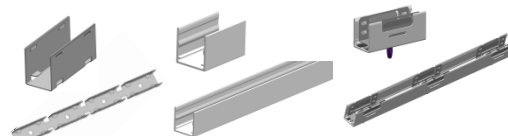
Model :	Voltage :	PCB width :	Power :	Color :	IP Rank :	Pack :
GY-NF-ST1515	DC5V/12V/24V	8/10 mm	10W/M	Single/CCT/RGB/RGBW	IP67	1M-10M/Roll

**Accessories :**


End cap



Free soldering connector

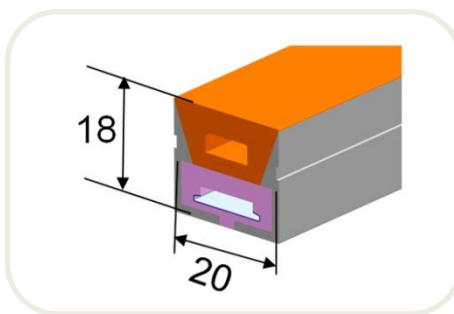
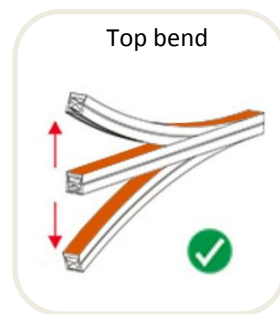


Steel / Aluminum clip

**Features:**

- Suitable for **FPCB 8/10 MM** (Available led strip check from GY-LED STRIP LIGHT CATALOGUE).
- Color options Single/CCT/RGB/RGBW color available, Suitable for engineering decoration lighting.

**Model 48 Picture**

**Size Drawing**

**Bending Direction**


Recommended Star : ☆☆☆☆

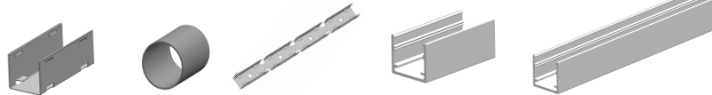
Emitting : Flat top - Top Emitting

Bend Direction : Top bend

Model :	Voltage :	PCB width :	Power :	Color :	IP Rank :	Pack :
GY-NF-ST2018A	DC12V/24V	10/12/15 mm	10W/M	Single/CCT/RGB/RGBW	IP67	1M-10M/Roll

**Accessories :**


End cap

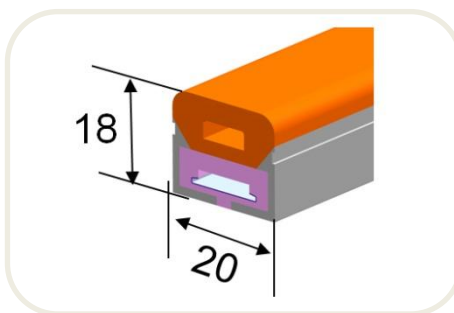


Steel / Aluminum clip

**Features:**

- Suitable for **FPCB 10/12/15 MM** (Available led strip check from GY-LED STRIP LIGHT CATALOGUE).
- Color options Single/CCT/RGB/RGBW color available, Suitable for engineering decoration lighting.

**Model 49 Picture**

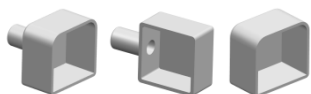
**Size Drawing**

**Bending Direction**


Recommended Star : ☆☆☆☆

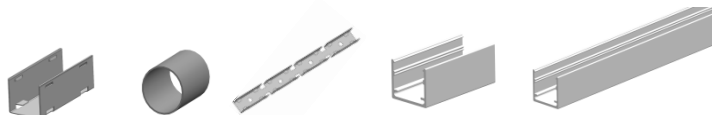
Emitting : Round top - Top Emitting

Bend Direction : Top bend

Model :	Voltage :	PCB width :	Power :	Color :	IP Rank :	Pack :
GY-NF-ST2018B	DC12V/24V	10/12/15 mm	10W/M	Single/CCT/RGB/RGBW	IP67	1M-10M/Roll

**Accessories :**


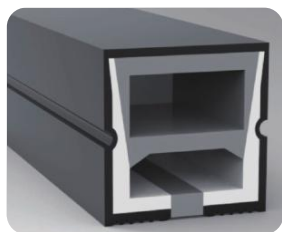
End cap



Steel / Aluminum clip

**Features:**

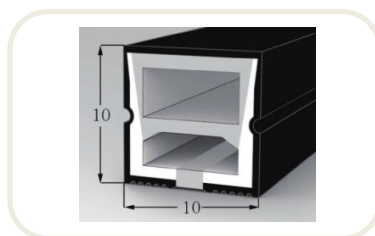
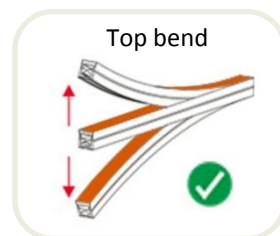
- Suitable for **FPCB 10/12/15 MM** (Available led strip check from GY-LED STRIP LIGHT CATALOGUE).
- Color options Single/CCT/RGB/RGBW color available, Suitable for engineering decoration lighting.

**Model 50 Picture**


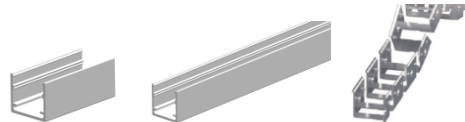
☆ **Black Housing**

Emitting : Flat top - Top Emitting

Bend Direction : Top bend

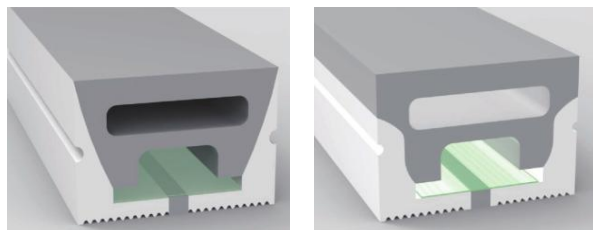
**Size Drawing**

**Bending Direction**

**Accessories :**


End cap



Steel / Aluminum clip

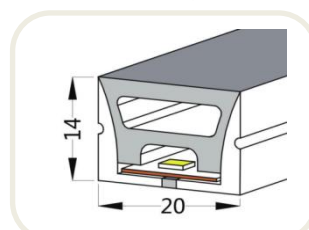
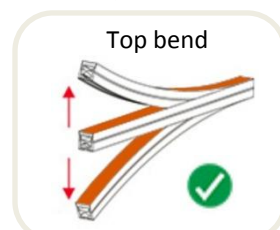
Model :	Voltage :	PCB width :	Power :	Color :	IP Rank :	Pack :
GY-NF-ST1010C	DC12V/24V	5 mm	10W/M	Single	IP67	1M-10M/Roll

**Model 51 Picture**


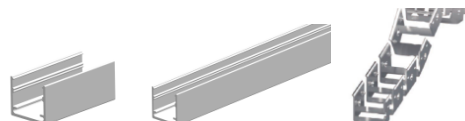
☆ **One/Three Side emitting**

Emitting : Flat top - Top Emitting

Bend Direction : Top bend

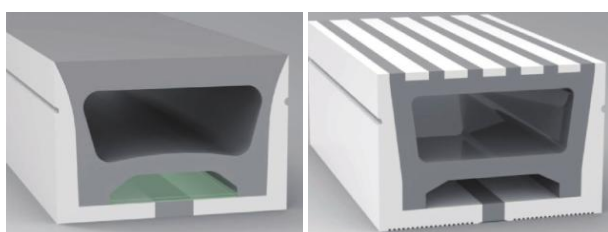
**Size Drawing**

**Bending Direction**

**Accessories :**


End cap



Steel / Aluminum clip

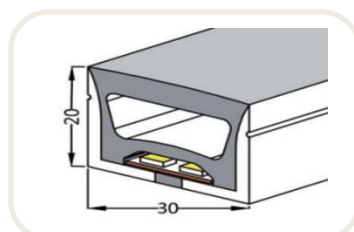
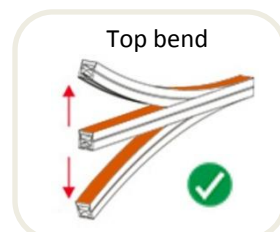
Model :	Voltage :	PCB width :	Power :	Color :	IP Rank :	Pack :
GY-NF-ST2014	DC12V/24V	10/12 mm	10W / M	Single/RGB/RGBW	IP67	1M-10M/Roll

**Model 52 Picture**


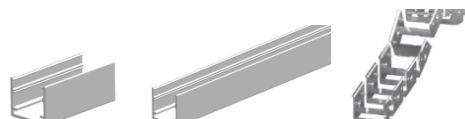
☆ **White Housing**

Emitting : Flat top - Top Emitting

Bend Direction : Top bend

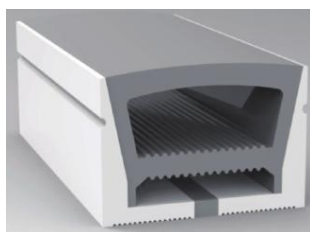
**Size Drawing**

**Bending Direction**

**Accessories :**


End cap



Steel / Aluminum clip

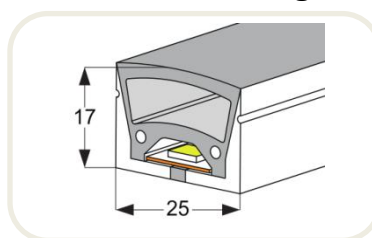
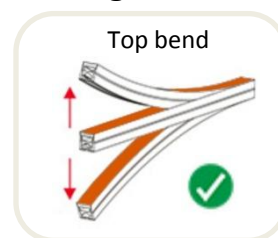
Model :	Voltage :	PCB width :	Power :	Color :	IP Rank :	Pack :
GY-NF-ST3020	DC12V/24V	15 mm	10W/M	Single/RGB/RGBW	IP67	1M-10M/Roll

**Model 53 Picture**


☆ **White Housing**

Emitting : Flat top - Top Emitting

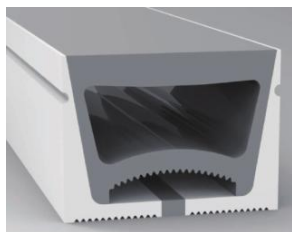
Bend Direction : Top bend

**Size Drawing**

**Bending Direction**

**Accessories :**


End cap

Steel / Aluminum clip

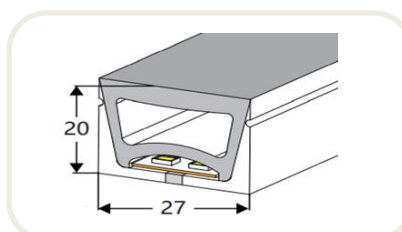
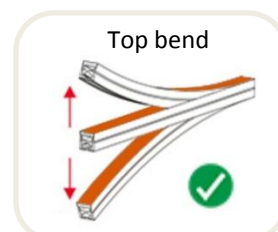
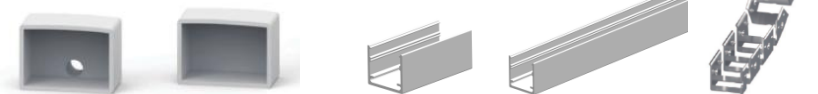
Model :	Voltage :	PCB width :	Power :	Color :	IP Rank :	Pack :
GY-NF-ST2517	DC12V/24V	15 mm	10W/M	Single	IP67	1M-10M/Roll

**Model 54 Picture**


☆ **White Housing**

Emitting : Flat top - Top Emitting

Bend Direction : Top bend

**Size Drawing**

**Bending Direction**

**Accessories :**


End cap

Steel / Aluminum clip

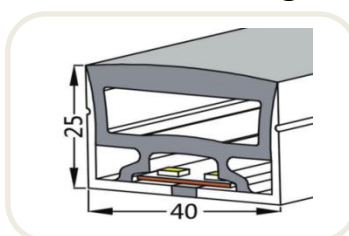
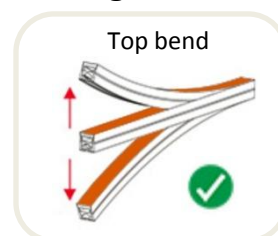
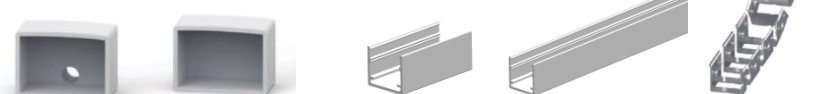
Model :	Voltage :	PCB width :	Power :	Color :	IP Rank :	Pack :
GY-NF-ST2720	DC12V/24V	15 mm	20W/M	Single/RGB/RGBW	IP67	1M-10M/Roll

**Model 55 Picture**


☆ **White Housing**

Emitting : Flat top - Top Emitting

Bend Direction : Top bend

**Size Drawing**

**Bending Direction**

**Accessories :**


End cap

Steel / Aluminum clip

Model :	Voltage :	PCB width :	Power :	Color :	IP Rank :	Pack :
GY-NF-ST4025	DC12V/24V	20 mm	20W/M	Single/RGB/RGBW	IP67	1M-10M/Roll

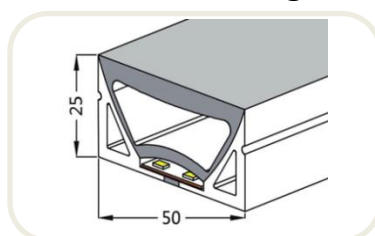
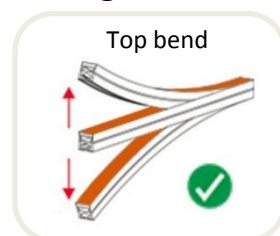


**Model 56 Picture**

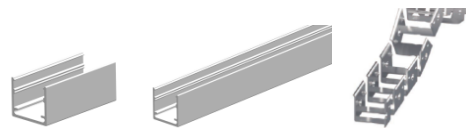

☆ **White Housing**

Emitting : Flat top - Top Emitting

Bend Direction : Top bend

**Size Drawing**

**Bending Direction**

**Accessories :**


End cap



Steel / Aluminum clip

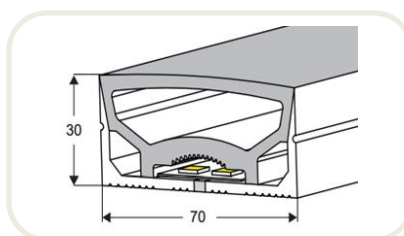
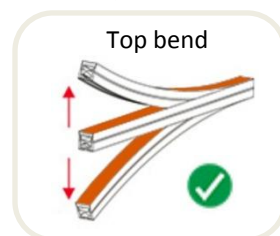
Model :	Voltage :	PCB width :	Power :	Color :	IP Rank :	Pack :
GY-NF-ST5025	DC12V/24V	20 mm	20W/M	Single/RGB/RGBW	IP67	1M-10M/Roll

**Model 57 Picture**

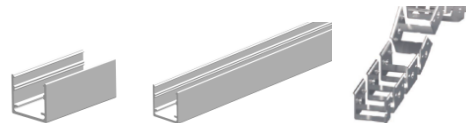

☆ **White Housing**

Emitting : Flat top - Top Emitting

Bend Direction : Top bend

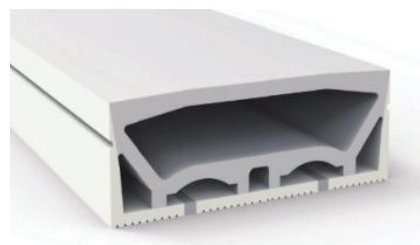
**Size Drawing**

**Bending Direction**

**Accessories :**


End cap



Steel / Aluminum clip

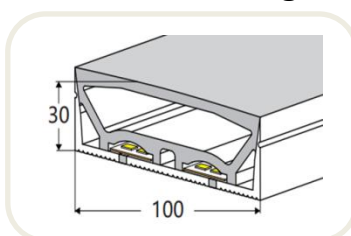
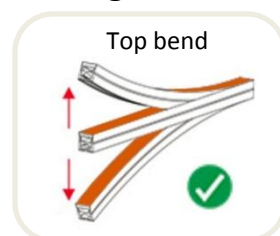
Model :	Voltage :	PCB width :	Power :	Color :	IP Rank :	Pack :
GY-NF-ST7030	DC12V/24V	30 mm	20W/M	Single/RGB/RGBW	IP67	1M-10M/Roll

**Model 58 Picture**


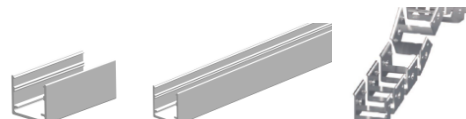
☆ **White Housing**

Emitting : Flat top - Top Emitting

Bend Direction : Top bend

**Size Drawing**

**Bending Direction**

**Accessories :**


End cap



Steel / Aluminum clip

Model :	Voltage :	PCB width :	Power :	Color :	IP Rank :	Pack :
GY-NF-ST10030	DC12V/24V	20 mm	10W/M	Single/RGB/RGBW	IP67	1M-10M/Roll

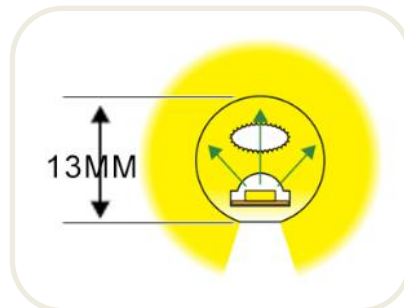
## LED Neon Flex – 270° 360° Emitting Series

### Model 59

### Picture



### Size Drawing



Recommended Star : ☆☆☆

Emitting : 360° Emitting

Model :	Voltage :	PCB width :	Power :	Color :	IP Rank :	Pack :
GY-NF-STD12	DC5V/12V/24V	5mm	10W/M	Single	IP67	1M-5M/Roll

### Accessories :



End cap



PC clip

### Features:

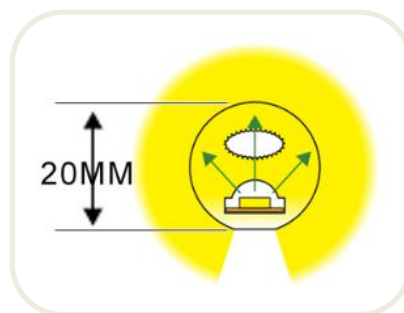
1. Suitable for **FPCB 5MM** (Available led strip check from GY-LED STRIP LIGHT CATALOGUE).
2. Color options Single color available, Suitable for engineering decoration lighting.

### Model 60

### Picture



### Size Drawing



Recommended Star : ☆☆☆

Emitting : 360° Emitting

Model :	Voltage :	PCB width :	Power :	Color :	IP Rank :	Pack :
GY-NF-STD20	DC5V/12V/24V	8/10mm	10W/M	Single/CCT/RGB	IP67	1M-5M/Roll

### Accessories :



End cap

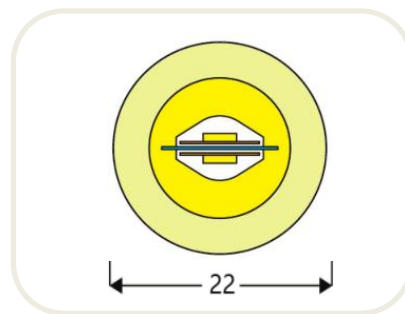


PC clip

### Features:

1. Suitable for **FPCB 8/10MM** (Available led strip check from GY-LED STRIP LIGHT CATALOGUE).
2. Color options Single/CCT/RGB/RGBW color available, Suitable for engineering decoration lighting.

**Model 61**
**Picture**

**Size Drawing**


Recommended Star : ☆☆☆

Emitting : 360° Emitting

Model :	Voltage :	PCB width :	Power :	Color :	IP Rank :	Pack :
GY-NF-STD22A	DC5V/12V/24V	8/10 mm	10W/M	Single/CCT/RGB	IP67	1M-5M/Roll

**Accessories :**

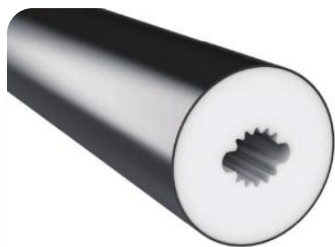
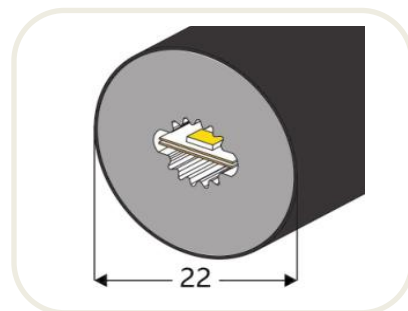

End cap



PC clip

**Features:**

1. Suitable for **FPCB 8/10MM** (Available led strip check from GY-LED STRIP LIGHT CATALOGUE).
2. Color options Single/CCT/RGB/RGBW color available, Suitable for engineering decoration lighting.

**Model 62**
**Picture**

**Size Drawing**


Recommended Star : ☆☆☆

Emitting : 360° Emitting

Model :	Voltage :	PCB width :	Power :	Color :	IP Rank :	Pack :
GY-NF-STD22B	DC5V/12V/24V	8 mm	20W/M	Single/CCT/RGB	IP67	1M-5M/Roll

**Accessories :**

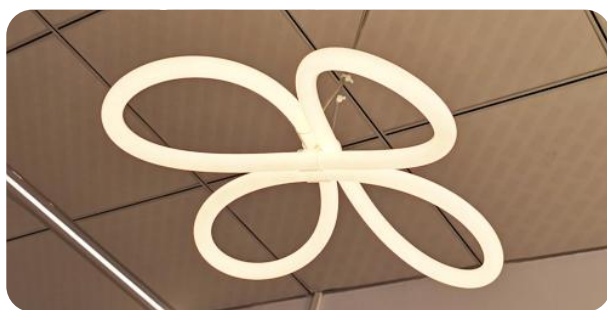
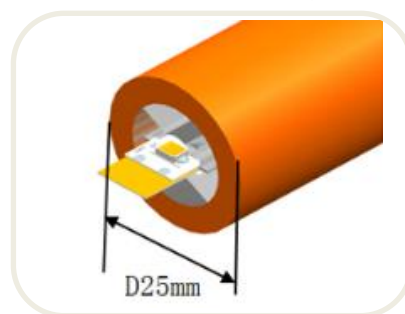

End cap



PC clip

**Features:**

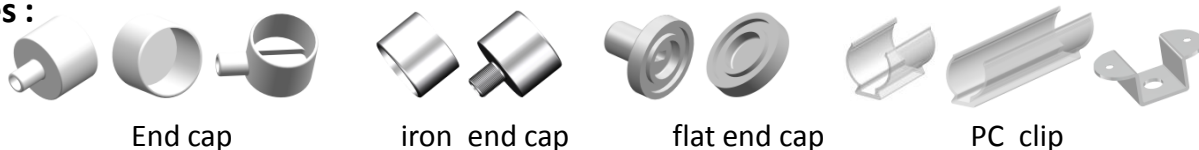
1. Suitable for **FPCB 8MM** (Available led strip check from GY-LED STRIP LIGHT CATALOGUE).
2. Color options Single/CCT/RGB color available, Suitable for engineering decoration lighting.

**Model 63**
**Picture**

**Size Drawing**


Recommended Star : ☆☆☆☆

Emitting : 360° Emitting

Model :	Voltage :	PCB width :	Power :	Color :	IP Rank :	Pack :
GY-NF-STD25	DC5V/12V/24V	8/10mm	20W/M	Single/CCT/RGB	IP67	1M-5M/Roll

**Accessories :**


End cap

iron end cap

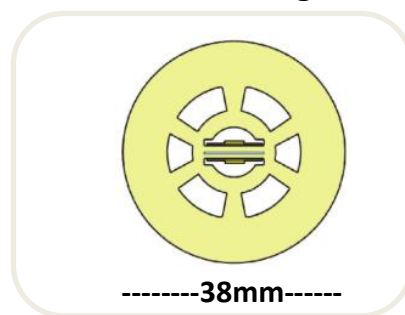
flat end cap

PC clip

**Features:**

1. Suitable for **FPCB 8/10MM** (Available led strip check from GY-LED STRIP LIGHT CATALOGUE).
2. Color options Single/CCT/RGB/RGBW color available, Suitable for engineering decoration lighting.

**Model 64**
**Picture**

**Size Drawing**


Recommended Star : ☆☆☆

Emitting : 360° Emitting

Model :	Voltage :	PCB width :	Power :	Color :	IP Rank :	Pack :
GY-NF-STD38	DC5V/12V/24V	10 mm	20W/M	Single/CCT/RGB	IP67	1M-5M/Roll

**Accessories :**

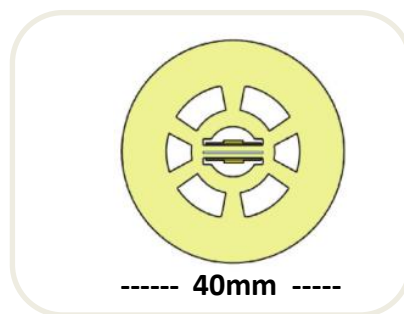

End cap

PC clip

**Features:**

1. Suitable for **FPCB 8/10MM** (Available led strip check from GY-LED STRIP LIGHT CATALOGUE).
2. Color options Single/CCT/RGB/RGBW color available, Suitable for engineering decoration lighting.

**Model 65**
**Picture**

**Size Drawing**


Recommended Star : ☆☆☆

Emitting : 360° Emitting

Model :	Voltage :	PCB width :	Power :	Color :	IP Rank :	Pack :
GY-NF-STD40	DC5V/12V/24V	10 mm	20W/M	Single/CCT/RGB	IP67	1M-5M/Roll

**Accessories :**


End cap



PC clip

**Features:**

1. Suitable for **FPCB 8/10MM** (Available led strip check from GY-LED STRIP LIGHT CATALOGUE).
2. Color options Single/CCT/RGB/RGBW color available, Suitable for engineering decoration lighting.

